

Instruction manual & warranty for stationary treatment massage tables LIBRA 4

Bedienungsanleitung und Garantie für stationäre LIBRA 4 Massagetische

Instrukcja obsługi i gwarancja stacjonarnych stołów terapeutycznych do masażu LIBRA 4



Thank you for choosing HABYS products and congratulations on your purchase. We recall that the proper use and maintenance of the products ensure full satisfaction of their use for many years.

Danke, dass Sie sich für Produkte HABYS entschieden haben und herzlichen Glückwunsch zu Ihrem erfolgreichen Kauf. Wir möchten daran erinnern, dass die korrekte Verwendung und Wartung der Produkte die volle Zufriedenheit mit ihrer Nutzung über viele Jahre hinweg gewährleistet.

Dziękujemy Państwu za wybór produktów HABYS i gratulujemy udanego zakupu. Przypominamy, że prawidłowe użytkowanie i serwisowanie produktów zapewnia pełną satysfakcję z ich użytkowania przez wiele lat.



User Manual number / Anleitungsnummer / Numer instrukcji: 023/2022  
User Manual release date / Datum der Ausstellung der Anleitung / Data wydania instrukcji: 15.05.2023

EN ENGLISH

page 1

DE DEUTSCH

Seite 6

PL POLSKI

strona 11



## I. INTRODUCTION

Stationary massage table LIBRA 4 enable the physiotherapist correct, safe and effective rehabilitation treatment, physiotherapy, physical therapy, massage, aimed at treating or alleviating the course of diseases and the effects of injuries. Construction of stationary massage table LIBRA 4 allows the physiotherapist full and easy access to the patient from all sides.

## II. INSTALLATION

- Make sure that the table is put on hard and flat floor.
- If the bed turns or tilts due to uneven ground, adjust the feet using screws.

### Connection to the electricity

Before inserting the plug into a socket outlet, make sure that:

- The socket is properly grounded and complies with the applied regulations.
- The socket is able to withstand the maximum load of the appliance, specified in Technical Data section.
- The electric voltage in the network is consistent with the data given in Technical Data section.
- The socket corresponds to the plug. If not, replace the socket.



Do not install the devices in the open air. Electric actuators can work no longer than 2 minutes. Restarting is possible after 18 minutes of rest.

After installing the table, the socket outlet should be easily accessible.

Do not use electrical extension cords.

The cable should not be bent.

The power supply cable may only be replaced by an authorized specialist.

Do not make any repairs to the electric actuators yourself.

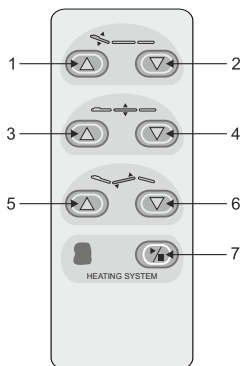
Avoid direct sunlight, UV radiation, rain, excessive dust, moisture.

### Attention!

The manufacturer declines all responsibility if the user don't follow the above mentioned rules.

### III. OPERATION

Height and angles adjustment is done by electric motors controlled by hand control:



Symbol	Action
1	Headrest height adjustment - up.
2	Headrest height adjustment - down.
3	Table height adjustment - up.
4	Table height adjustment - down.
5	Leg angles adjustment - up.
6	Leg angles adjustment - down.
7	<p>3 levels of temperature setting:</p> <p>Pressing the button, the light is on, the heating function works on the 3rd level of temperature 45+/-5°C</p> <p>Press the button again, the light is rapid flicker, the heating turns to the 2nd level of temperature 40+/-5°C</p> <p>Press the button again, the light is slow flicker, the heating turns to the 1st level of temperature 35+/-5°C</p> <p>Press the button again, the light is off, the heating function stops.</p> <p>Heating system will automatically stop when there is no operation to the bed after one hour. Press the button again to start the heating.</p>

### IV. TABLE TOP HEATING:

The bed heats up gradually. After turning on the heating function, the table will heat up to a temperature of approx. 45°C, with the possibility of adjusting to a lower temperature (40 and 35°C +/-5°C, respectively). Once the programmed temperature is reached, the heating function will automatically turn off after one hour.

In order to restart the heating function, activate the function on the remote control.

**Caution!** The heating effect is affected by ambient temperature. If the environment temperature is high, the heating speed is faster, the final temperature is a little bit higher than standard temperature; if the environment temperature is low, the heating speed is slower, the final temperature is a little bit lower than standard.

## V. EXPLOITATION REMARKS

- Use the table in accordance with the instruction manual.
- Damages caused by wrong using (inconsistent with the above mentioned remarks) cannot be complained.
- The device is not intended for use by person with reduced physical or mental agility and people without any adequate experience and knowledge, unless they use it under supervision or after receiving directions from a person responsible for their safety.
- The table should only be used by adults and in accordance with the instruction manual.
- The table is intended for use inside the dry and closed rooms and for treatment of one person only at a time.
- It is not allowed to move the table with the patient.
- It is forbidden to sit on the table rapidly (jump on).
- It is forbidden to sit down, kneel down and lean on the headrest, shelves and armrests.
- If the patient lays down on the table without clothes, the physiotherapist should use disposable covers or disinfect the table.
- Long-term contact of the table upholstery with oils should be avoided. For this purpose, use oil-resistant cover or waterproof sheets.
- The table should be used and stored away from direct sources of fire and heat.
- The table should not be exposed to long-term sunlight. This can cause discoloration of the table upholstery.
- After bringing the table from a cold room, connect it to the electricity network after 15 minutes waiting.
- It is recommended to make full height adjustment of the table in the range from minimum to maximum to ensure that the lubricant is evenly distributed inside the motor. It ensures the correct maintenance of the table and extends the engine life. The operation must be repeated 2, 4 times min. once a week.
- Do not remove the plug from the socket by pulling the cable.
- Do not disassemble the device and try to get inside it.

## VI. MAINTENANCE AND CLEANING

**Steel and varnished elements:** Please use products which don't contain any abrasives for cleaning. Disinfect when necessary and occasionally.



In accordance with the Act on Waste Electrical and Electronic Equipment, it is forbidden to throw away used equipment marked with the symbol of a crossed out bin along with others household waste. Used equipment should be handed over to a proper collection point. The above statutory obligations were introduced to reduce the amount of waste from electrical and electronic equipment and ensuring an appropriate level of collection, recovery and recycling of waste equipment. The correct implementation of these duties is important especially when used equipment contains hazardous components that may have especially negative impact on the environment and human health.

## VII. TECHNICAL DATA

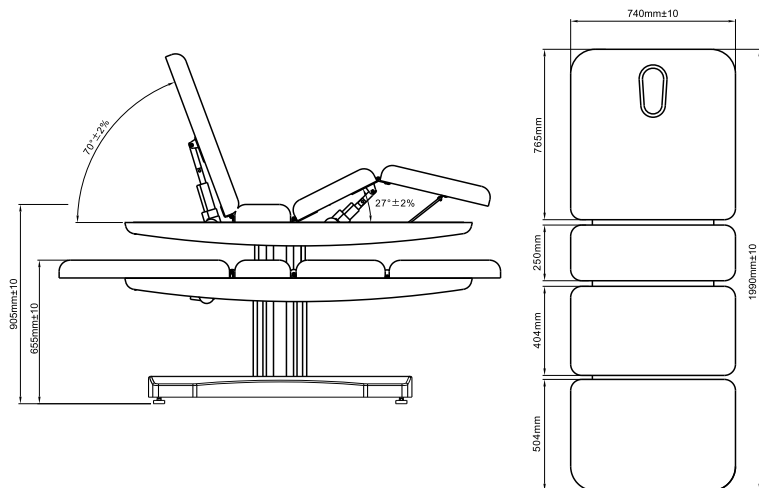


Table weight	83 kg
Power	220~240V, 50Hz/ 60Hz
Maximum power	300W
The highest heating temperature	45+/-5°C
Environment temperature	from 0°C to + 40°C
Relative humidity	from 30% to 90%
Permissible load	175 kg
Bed dimensions	199 x 74 cm (+/- 1cm)
Height (adjusted)	from 65 to 90 cm (+/- 1cm)

## VIII. MEANING OF PICTOGRAPHS



Attention



Keep dry during storage



Manufacturer's name and address



Maximum load



CE mark - product compliance with the requirements of the Medical Devices Regulation (MDR) 2017/745/EU



See the instruction manual for use



Medical device



Date of manufacture



Authorised representative



Importer

## IX. WARRANTY CONDITIONS

1. For the purposes of the guarantee:
  - a) "Manufacturer" refers to HABYS Spółka z ograniczoną odpowiedzialnością (Limited Liability Company) with its registered seat in Jasło, ul. Produkcyjna 16, 38-200 Jasło, entered into the Register of Entrepreneurs kept by the District Court in Rzeszów, XII Commercial Division of the National Court Register, with the assigned KRS number: 0000513317, with the share capital in the amount of PLN 10.750.000 (ten million seven hundred fifty thousand zlotys), the capital has been fully paid up, NIP: 6852208438, REGON: 180186290.
  - b) "Buyer" refers to the final Buyer of the equipment, manufactured by the Manufacturer, including both the consumer and the entrepreneur.
  - c) "Distributor" refers to an entity that, under an agreement with the Manufacturer, sells the Equipment in a designated area.
  - d) "Authorized Service Centre" refers only to a service held by the Manufacturer or a service indicated by the Manufacturer and held by its Distributor,
  - e) "Equipment" refers to a movable item, manufactured by the Manufacturer, being the subject of the sales and to which the said warranty applies.
2. The manufacturer ensures good quality and efficient operation of the equipment for which the warranty card has been issued, for the period of: 2 years for constructional elements, 2 years for upholstered elements and 2 years for electronic and hydraulic accessories.
3. The guarantee repair does not include the activities provided for in the manual, which the Buyer is obliged to perform on his own (installation of the Equipment, maintenance of the Equipment, etc.).
4. Liability under the guarantee covers only defects resulting from causes inherent in the Equipment., In particular, the guarantee does not cover any damage resulting from improper or inconsistent use, storage, maintenance or transport of the Equipment, as well as colour differences between the parts exposed and not exposed to solar radiation, the influence of chemical or abrasive agents, atmospheric pollution or accidental punctures and abrasions, the presence of stains or rings from greasy or dyeing substances (fats, creams, lotions or oils), permanent staining with dyes such as inks, permanent markers or other non-permanent dyes used in the production of clothing (e.g. dyes used to make blue jeans).
5. The guarantee does not cover any mechanical damage to the Equipment.
6. The buyer loses the guarantee rights in the event of:
  - a) the Manufacturer states that the Equipment was repaired by entity other than the Authorized Service,
  - b) making any design modifications to the Equipment without the prior written consent of the Manufacturer,
  - c) using the Equipment contrary to its intended use,
  - d) using the Equipment after revealing any defect in it.
7. Regardless of the loss of the guarantee rights, described above, in point 6, the Manufacturer shall not be liable for any damage to property or caused to third parties, which may be caused by the use of the Equipment covered by the guarantee.
8. The guarantee does not exclude or limit the rights resulting from the warranty for defects. Exercising the rights under the guarantee does not affect the seller's liability under the warranty for defects. If the Buyer exercises the rights under the guarantee, the time limit for the exercise of the rights under the warranty for defects is suspended on the date the Manufacturer is notified of the defect. The period runs further from the date of the Manufacturer's refusal to perform the obligations arising from the guarantee or the ineffective expiry of the time for their performance.
9. The scope of the guarantee coverage is limited to the territory of the country in which the Equipment was sold.
10. The Manufacturer shall perform its obligations under the guarantee (removal of defects or damage to the structure of the Equipment arising from reasons inherent in the Equipment, and disclosed during the guarantee period) free of charge within 14 days from the date of delivery of the Equipment to the Manufacturer or the Authorized Service Centre. If the repair of the Equipment cannot be performed within the above-mentioned period, the Manufacturer shall inform the Buyer of the above, and also indicate the reasons for the delay and the expected date of fulfilment of the recognized guarantee request.
11. The use of the guarantee rights requires the total (cumulative) fulfilment of four conditions:
  - a) presenting a VAT invoice, receipt or other proof of purchase of the equipment to the Manufacturer, photographic documentation of the defective Equipment, together with a brief description of the reasons for submitting a guarantee claim,
  - b) reporting the defect within 14 (fourteen) days of its detection,
  - c) delivering the Equipment in original packaging at the expense of the Manufacturer, to the address indicated above in the guarantee card or to the address of the Authorized Service Centre,
  - d) designation of the place where the Manufacturer delivers the equipment after repairing it (limited to the country in which the Equipment was purchased).
12. The guarantee period is extended for the duration of the repair, starting from the date of delivery of the Equipment to the Manufacturer or to the Authorized Service Centre, to the date on which the Equipment was returned to the Buyer.
13. The responsibility of the Manufacturer or the Authorized Service Centre is to define the scope and the method of repairing the Equipment.
14. The guarantee is limited to the repair of the Equipment. The Manufacturer reserves the right to replace the Equipment with a non-defective one, if the repair exceeds the price of the Equipment indicated in the proof of purchase. Under the guarantee, the Buyer shall not be entitled to demand that the Equipment be replaced with a new one. The guarantee, in particular, does not cover liability for losses or damages incurred by the Buyer in connection with the fact that one is not able to use the Equipment.
15. The Manufacturer shall not be liable for any damage to the Equipment caused during the performance of the transport service by the delivery company until it is collected by the Manufacturer from the delivery company.
16. If the shipment of the Equipment was ordered by the Manufacturer, the Buyer is obliged to check the technical condition of the Equipment upon its receipt. If the Buyer finds that the Equipment has been damaged during the transport, the Buyer is obliged to:
  - a) immediately, not later than within 3 days from the date of receipt of the shipment, notify the Manufacturer of any damage to the Equipment that occurred during transport, in order to enable the Manufacturer to submit a complaint to the delivery company and pursue related claims,
  - b) provide the Producer with a complaint report drawn up between the Buyer and the delivery company.
17. The guarantee regulations contained in this document are the sole and exclusive guarantee rules for HABYS limited liability products.

## I. ANWENDUNG

Der stationäre Tisch Gemini Flex ermöglicht den Physiotherapeuten eine fachgerechte, sichere und effektive Durchführung von Rehabilitationsbehandlungen, Krankengymnastik, physikalischen Therapien, Massagen, die auf die Behandlung oder Linderung von Krankheitsverläufen und Folgen von Verletzungen/Behinderungen abzielen. Die Konstruktion der Gemini Flex-Rehabilitationstische ermöglicht dem Physiotherapeuten von allen Seiten einen einfachen und vollständigen Zugang zum Patienten.

## II. MONTAGE

- Stellen Sie sicher, dass der Tisch auf einer harten und ebenen Oberfläche steht.
- Wenn sich das Bett aufgrund von Bodenunebenheiten dreht oder kippt, stellen Sie die Füße mit den Schrauben ein.

### Anschluss an das Stromnetz

Bevor Sie den Stecker in die Steckdose stecken, stellen Sie sicher, dass:

- die Steckdose ordnungsgemäß geerdet ist und den geltenden Vorschriften entspricht,
- die Steckdose der Belastung mit der maximalen Geräteleistung standhält, die in der Tabelle Technische Daten angegeben ist,
- die Netzspannung den Angaben in der Tabelle mit den Technischen Daten entspricht,
- die Buchse dem Stecker entspricht. Andernfalls ersetzen Sie die Steckdose.



Installieren Sie die Geräte nicht im Freien. Die elektrischen Stellantriebe können nicht länger als 2 Minuten arbeiten. Ein Neustart ist nach 18 Minuten Ruhezeit möglich.

Sobald der Tisch installiert ist, sollte die Steckdose leicht zugänglich sein. Verwenden Sie keine Verlängerungskabel.

Das Kabel darf nicht geknickt werden.

Das Netzkabel darf nur vom autorisierten Fachpersonal ausgetauscht werden.

Führen Sie selbst keine Reparaturen an den elektrischen Stellantrieben durch. Vermeiden Sie direktes Sonnenlicht, UV-Strahlung, Regen, übermäßigen Staub, Feuchtigkeit.

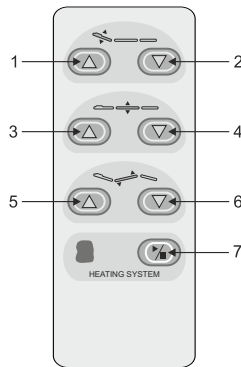
Achtung! Der Hersteller lehnt jede Haftung ab, wenn die obigen Regeln nicht befolgt werden.



### III. BEDIENUNG

Die Einstellung der Tischhöhe und der Bett-Neigungswinkel erfolgt durch Elektromotoren, die von einer manuellen Fernbedienung gesteuert werden:

DE



Bezeichnung	Wirkung
1	Höhenverstellung der Kopfstütze - Anheben.
2	Höhenverstellung der Kopfstütze - Absenken.
3	Neigungsverstellung der Bettruhe - Anheben.
4	Neigungsverstellung der Bettruhe - Absenken.
5	Höhenverstellung von 1. Tischbein, von der Kopfstützenseite - Anheben.
6	Höhenverstellung von 1. Tischbein, von der Kopfstützenseite - Absenken.
7	3 Stufen der Temperatureinstellung: Durch Drücken der Taste leuchtet das Licht, die Heizfunktion arbeitet auf der 3. Temperaturstufe 45+/-5°C Drücken Sie die Taste erneut, das Licht flackert schnell, die Heizung schaltet auf die 2. Temperaturstufe 40+/-5°C. Drücken Sie die Taste erneut, das Licht flackert langsam, die Heizung schaltet auf die 1. Temperaturstufe 35+/-5°C. Drücken Sie die Taste erneut, das Licht ist aus, die Heizfunktion stoppt. Das Heizsystem stoppt automatisch, wenn das Bett nach einer Stunde nicht bedient wird. Drücken Sie die Taste erneut, um die Heizung zu starten.

### IV. BLATTHEIZFUNKTION:

Das Bett erwärmt sich allmählich. Nach dem Einschalten der Heizfunktion heizt sich der Tisch auf eine Temperatur von ca. 45 Grad, mit der Möglichkeit, eine niedrigere Temperatur einzustellen (40 bzw. 35 Grad +/-5°C). Sobald die programmierte Temperatur erreicht ist, schaltet sich die Heizfunktion nach einer Stunde automatisch aus. Um die Heizfunktion wieder zu starten, aktivieren Sie die Funktion auf der Fernbedienung.

**Achtung!** Die empfundene Heiztemperatur wird von der Umgebungstemperatur beeinflusst. Bei hoher Umgebungstemperatur ist die Aufheizgeschwindigkeit schneller und die gefühlte Endtemperatur etwas höher als die Standardtemperatur. Ist die Umgebungstemperatur niedrig, ist die Aufheizrate langsamer und die gefühlte Endtemperatur ist etwas niedriger als der Standard.

## V. BETRIEBUNGSHINWEISE

- Benutzen Sie den Tisch gemäß der Bedienungsanleitung.
- Die Schäden, die aus der Nichtbeachtung der vorstehenden Hinweise resultieren, begründen keine Reklamation.
- Das Gerät ist nicht dafür bestimmt, durch Personen mit eingeschränkten körperlichen oder geistigen Fähigkeiten oder mangels Erfahrung und Wissen benutzt zu werden, es sei denn, sie benutzen es unter Aufsicht oder nach Unterweisung durch eine für ihre Sicherheit verantwortliche Person.
- Der Tisch sollte nur von Erwachsenen und gemäß den Anweisungen verwendet werden.
- Die Liege ist für den Gebrauch in trockenen und geschlossenen Räumen und für Behandlungen von jeweils nur einer Person vorgesehen.
- Der Tisch darf nicht mit dem Patienten bewegt werden.
- Es ist verboten, sich plötzlich auf den Tisch zu setzen (Springen).
- Das Sitzen, Knien und Anlehnen auf Kopfstützen, Ablagen und Armlehnen ist verboten.
- Liegt der Patient unbedeckt auf dem Tisch, sollte der Physiotherapeut Einwegauflagen verwenden oder den Tisch desinfizieren.
- Vermeiden Sie längeren Kontakt von Tischpolstern mit Ölen. Zu diesem Zweck sollten ölbeständige Abdeckungen oder wasserdichte Folien verwendet werden.
- Der Tisch sollte fern von direkten Feuer- und Wärmequellen verwendet und gelagert werden.
- Der Tisch sollte nicht längere Zeit dem Sonnenlicht ausgesetzt werden. Dies kann zu Verfärbungen der Tischpolsterung führen.
- Nachdem Sie den Tisch aus einem kalten Raum geholt haben, schließen Sie den Tisch nach einer Wartezeit von 15 Minuten an die Stromversorgung an.
- Es wird empfohlen, die Höhe des Tisches vollständig von minimal bis maximal einzustellen, um sicherzustellen, dass das Schmiermittel gleichmäßig im Motor verteilt wird. Dies gewährleistet eine ordnungsgemäße Wartung des Tisches und verlängert die Lebensdauer des Motors. Der Vorgang sollte 2, 4-mal wiederholt werden, mindestens einmal wöchentlich.
- Ziehen Sie den Stecker nicht aus der Steckdose, indem Sie am Kabel ziehen.
- Zerlegen Sie das Gerät nicht und versuchen Sie nicht, in das Innere einzudringen.

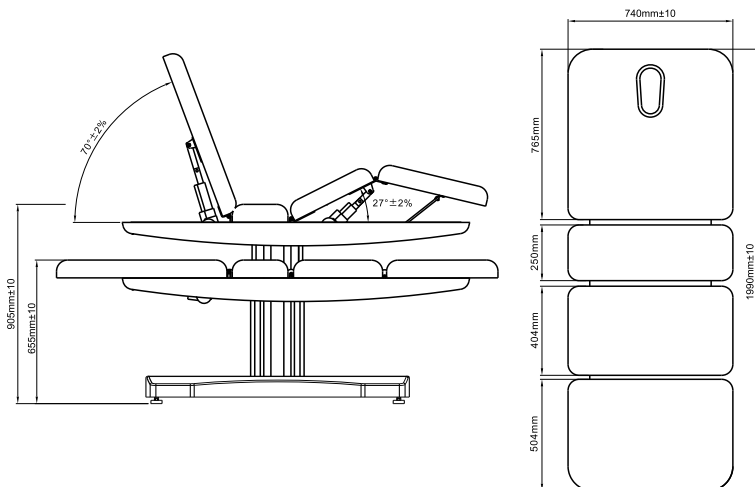
## VI. WARTUNG UND REINIGUNG

**Stahl und lackierte Elemente.** Zur Reinigung solcher Komponenten werden nicht scheuernde Produkte empfohlen. Bei Bedarf und gelegentlich desinfizieren.



Gemäß den Bestimmungen des Elektro- und Elektronik-Altgerätegesetzes ist es verboten, Altgeräte, die mit dem Symbol der durchgekreuzten Mülltonne gekennzeichnet sind, zusammen mit anderem Hausmüll zu entsorgen. Altgeräte sind bei der entsprechenden Sammelstelle abzugeben. Die obigen gesetzlichen Verpflichtungen wurden eingeführt, um die Abfallmenge aus Elektro- und Elektronik-Altgeräten zu begrenzen und ein angemessenes Maß an Sammlung, Verwertung und Recycling von Altgeräten sicherzustellen. Die ordnungsgemäße Umsetzung dieser Pflichten ist besonders wichtig, wenn Altgeräte gefährliche Bestandteile enthalten, die sich besonders negativ auf die Umwelt und menschliche Gesundheit auswirken.

## VII. TECHNISCHE DATEN



Tischgewicht	83 kg
Stromversorgung	220~240V, 50Hz/ 60Hz
Maximale Leistung	300W
Maximale Heiztemperatur	45+/-5°C
Umgebungstemperatur	von 0°C bis + 40°C
Luftfeuchtigkeit	von 30% bis 90%
Maximale Belastung	175 kg
Bettabmessungen	199 x 74 cm (+/- 1cm)
Höhe (verstellbar)	von 65 bis 90 cm (+/- 1cm)

## VIII. LEGENDE ZU DEN PIKTOGRAMMEN



Achtung



Vor Feuchtigkeit und Nässe während der Lagerung schützen



Name und Anschrift des Herstellers



Maximale Belastung



CE-Kennzeichnung - Übereinstimmung des Produkts mit den Anforderungen der Medizinprodukteverordnung 2017/745/EU



Die Gebrauchsanweisung lesen



Medizinisches Produkt



Importeur



Produktionsdatum



Autorisierter Händler in der Europäischen Gemeinschaft

## IX. GARANTIEBEDINGUNGEN

1. Für die Zwecke dieses Dokuments:
  - a) „Hersteller“: HABYS Spółka z ograniczoną odpowiedzialnością mit Sitz in Jasło, ul. Produkcyjna 16, 38-200 Jasło, eingetragen in das vom Amtsgericht in Rzeszów 12. Wirtschaftskammer des Nationalen Gerichtsregisters geführte Unternehmerregister mit einer zugewiesenen KRS-Nummer: 0000513317, mit einem Stammkapital von 10.750.000 PLN (in Worten: zehn Millionen siebenhundertfünfzigtausend Zloty), das Kapital ist vollständig eingezahlt, Ust-IdNr.: 6852208438, REGON: 180186290.
  - b) „Käufer“ bezeichnet den Endabnehmer der vom Hersteller hergestellten Geräte, einschließlich Verbraucher und Unternehmen.
  - c) „Vertreiber“ ist ein Unternehmen, das im Rahmen eines Vertrags mit dem Hersteller die Geräte in dem bezeichneten Gebiet verkauft.
  - d) Unter „autorisierte Servicestelle“ ist nur die vom Hersteller geführte Servicestelle oder die vom Hersteller angegebene Servicestelle zu verstehen, die von seinem Vertreiber geführt wird,
  - e) „Gerät“ ist eine vom Hersteller hergestellte bewegliche Sache, die Gegenstand eines Kaufvertrags ist und für die die betreffende Garantie gilt.
2. Der Hersteller garantiert die gute Qualität und den effizienten Betrieb der Geräte, für die diese Garantiekarte ausgestellt wurde, für folgenden Zeitraum: 2 Jahre für Konstruktionselemente und 2 Jahre für gepolsterte Elemente.
3. Die Garantiereparatur umfasst nicht die in der Betriebsanleitung vorgesehenen Tätigkeiten, die der Käufer selbst durchführen muss (Montage des Geräts, Wartung des Geräts usw.).
4. Die Haftung im Rahmen der Garantie erstreckt sich nur auf Mängel, die auf Ursachen zurückzuführen sind, die in der Ausstattung liegen. Die Garantie erstreckt sich insbesondere nicht auf Schäden, die durch unsachgemäßen oder nicht vorschriftsmäßigen Gebrauch, Lagerung, Wartung oder Transport des Geräts verursacht werden, sowie auf Farbunterschiede zwischen Teilen, die dem Sonnenlicht ausgesetzt sind und solchen, die es nicht sind, auf die Einwirkung von Chemikalien oder Scheuermitteln, auf Luftverschmutzung oder auf zufällige Einstiche und Abschürfungen, auf das Vorhandensein von Flecken oder Ringen, die durch fettige oder gefärbte Substanzen (Fette, Cremes, Lotionen oder Öle) verursacht werden, auf die dauerhafte Färbung mit Farbstoffen wie Tinten, Permanentmarkern oder anderen nicht dauerhaften Farbstoffen, die bei der Herstellung von Kleidung verwendet werden (z. B. Farbstoffe, die bei der Herstellung von Kleidung des Typs Blue Jeans verwendet werden).
5. Die Garantie deckt keine mechanischen Schäden am Gerät ab.
6. Der Käufer verliert die Rechte aus der Garantie in folgenden Fällen:
  - a) Der Hersteller feststellt, dass das Gerät während der Garantiezeit außerhalb der autorisierten Servicestelle repariert wurde,
  - b) Es wurden ohne vorherige schriftliche Zustimmung des Herstellers baulichen Veränderungen an der Ausrüstung vorgenommen,
  - c) Das Gerät wurde für andere als die vorgesehenen Zwecke gebraucht,
  - d) Das Gerät wurde gebraucht, nachdem ein Konstruktionsfehler daran festgestellt worden ist.
7. Unbeschadet des oben in Abschnitt 6 beschriebenen Verlusts der Garantierechte haftet der Hersteller auch nicht für Sachschäden oder Schäden, die Dritten durch die Verwendung der unter die Garantie fallenden Geräte entstehen.
8. Durch die Garantie werden die Rechte aus der Mängelhaftung weder ausgeschlossen noch beschränkt. Die Ausübung der Garantierechte berührt nicht die Haftung des Verkäufers aus der Garantie. Macht der Käufer von seinen Rechten aus der Garantie Gebrauch, so wird der Lauf der Frist für die Ausübung der Rechte aus der Gewährleistung ab dem Zeitpunkt der Mitteilung des Mangels an den Hersteller unterbrochen. Diese Frist läuft ab dem Zeitpunkt der Weigerung des Herstellers, die Verpflichtungen aus der Garantie zu erfüllen, oder ab dem Zeitpunkt, zu dem die Frist für deren Erfüllung unwirksam verstrichen ist.
9. Der Umfang des Garantieschutzes ist auf das Gebiet des Landes beschränkt, in dem das Gerät verkauft wurde.
10. Der Hersteller ist verpflichtet, seine Garantieverpflichtungen (Beseitigung von Mängeln oder Schäden an der Struktur des Geräts, die auf Ursachen zurückzuführen sind, die dem Gerät innewohnen und während der Garantiezeit auftreten) innerhalb von 14 Tagen ab dem Tag der Lieferung des Geräts an den Hersteller oder an die autorisierte Servicestelle kostenlos zu erfüllen. Kann die Reparatur des Geräts nicht innerhalb der oben genannten Frist durchgeführt werden, so teilt der Hersteller dies dem Käufer unter Angabe der Gründe für die Verzögerung und des voraussichtlichen Datums der Erfüllung des anerkannten Garantieanspruchs mit.
11. Die Ausübung der Garantierechte setzt die gemeinsame (kumulative) Erfüllung von vier Bedingungen voraus:
  - a) eine MwSt.-Rechnung, eine Quittung oder einen anderen Nachweis über den Kauf des Geräts durch den Käufer sowie eine fotografische Dokumentation des defekten Geräts zusammen mit einer kurzen Beschreibung der Gründe für die Geltendmachung des Garantieanspruchs vorlegen,
  - b) den Mangel innerhalb von 14 (vierzehn) Tagen nach seiner Entdeckung melden,
  - c) das Gerät in seiner Originalverpackung auf Kosten des Herstellers an seine oben in der Garantiekarte angegebene Adresse oder an die Adresse der autorisierten Servicestelle liefern,
  - d) den Ort angeben, an den das Gerät nach der Reparatur vom Hersteller geliefert wird (beschränkt auf das Land, in dem das Gerät gekauft wurde).
12. Die Garantiefrist verlängert sich um die Dauer der Reparatur, gerechnet ab dem Tag der Übergabe des Geräts an den Hersteller oder die autorisierte Kundendienststelle bis zu dem Tag, an dem das Gerät an den Käufer zurückgegeben wird.
13. Es liegt in der Verantwortung des Herstellers oder des autorisierten Dienstleisters, den Umfang und die Art der Reparatur des Geräts zu bestimmen.
14. Die Garantie ist auf die Reparatur des Geräts beschränkt. Der Hersteller behält sich das Recht vor, das Gerät durch ein mängelfreies Gerät zu ersetzen, wenn die Reparatur den im Kaufbeleg angegebenen Preis des Gerätes übersteigt. Der Käufer ist nicht berechtigt, im Rahmen der Garantie den Ersatz der Ausrüstung zu verlangen. Die Garantie erstreckt sich insbesondere nicht auf die Haftung für Verluste oder Schäden, die dem Käufer dadurch entstehen, dass er an der Nutzung des Geräts gehindert wird.
15. Der Hersteller haftet nicht für Schäden am Gerät, die während des Transports durch den Transportunternehmer entstanden sind, bis der Hersteller das Gerät von dem Transportunternehmer erhalten hat.
16. Wurde die Lieferung des Geräts vom Hersteller in Auftrag gegeben, so obliegt es dem Käufer, den technischen Zustand des Geräts bei Erhalt zu überprüfen. Stellt der Käufer fest, dass die Sendung oder das darin enthaltene Gerät beschädigt sind, so ist der Käufer verpflichtet:
  - a) dem Hersteller unverzüglich, spätestens innerhalb von 3 Tagen nach Erhalt der Sendung, alle während des Transports aufgetretenen Schäden am Gerät mitzuteilen, damit der Hersteller eine Reklamation beim Transportunternehmen einreichen und entsprechende Ansprüche geltend machen kann,
  - b) dem Hersteller ein Reklamationsprotokoll zur Verfügung zu stellen, das zwischen dem Käufer und dem Transportunternehmen erstellt wurde.
17. Die in diesem Dokument enthaltenen Garantiebestimmungen sind die einzigen und ausschließlichen Garantiebestimmungen für die Produkte von HABYS Spółki z ograniczoną odpowiedzialnością.

## I. WSTĘP

Stół stacjonarny Libra 4 umożliwia fizjoterapeutom prawidłowe, bezpieczne i efektywne prowadzenie zabiegów rehabilitacyjnych, fizjoterapii, fizykoterapii, masażu, mających na celu leczenie lub łagodzenie przebiegu chorób oraz skutków urazów/upośledzeń. Budowa stołów rehabilitacyjnych Libra 4 pozwala fizjoterapeucie na łatwy i pełny dostęp do pacjenta z każdej strony.

PL

## II. INSTALACJA

- Upewnić się, że stół jest ustawiony na twardym i płaskim podłożu.
- Jeśli łóżko obraca się lub pochyla z powodu nierównego podłoża, należy wyregulować stopki za pomocą śrub.

### Podłączenie do sieci elektrycznej

Przed włożeniem wtyczki do gniazdka zasilania elektrycznego należy upewnić się, czy:

- gniazdko ma odpowiednie uziemienie i czy odpowiada obowiązującym przepisom,
- gniazdko jest w stanie wytrzymać obciążenie maksymalnej mocy urządzenia, podanej w tabeli Danych Technicznych,
- napięcie prądu elektrycznego w sieci zgodne jest z danymi podanymi w tabeli Danych Technicznych,
- gniazdko odpowiada wtyczce. W przeciwnym razie należy wymienić gniazdko.



Nie należy instalować urządzeń na otwartym powietrzu. Siłowniki elektryczne mogą pracować nie dłużej niż 2 minuty. Ponowne uruchomienie jest możliwe po 18 minutach odpoczynku.

Po zainstalowaniu stołu gniazdko elektryczne powinno być łatwo dostępne.

Nie używać przedłużaczy.

Kabel nie powinien być zginany.

Kabel zasilania elektrycznego może być wymieniony wyłącznie przez upoważnionego specjalistę.

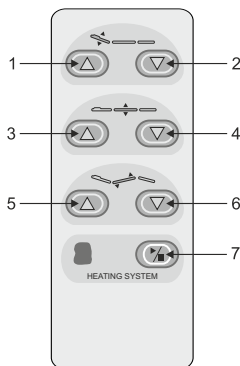
Nie należy samodzielnie dokonywać żadnych napraw siłowników elektrycznych.

Unikać bezpośredniego nasłonecznienia, promieniowania UV, deszczu, nadmiernego zakurzenia, wilgoci.

Uwaga! Producent uchyla się od wszelkiej odpowiedzialności, jeśli nie przestrzega się powyższych zasad.

### III. OBSŁUGA

Regulacja wysokości stołu oraz kątów łamania leżyska odbywa się poprzez silniki elektryczne sterowane pilotem ręcznym:



Oznaczenie	Działanie
1	Regulacja wysokości zagłówka - podnoszenie.
2	Regulacja wysokości zagłówka - obniżanie.
3	Regulacja wysokości stołu - podnoszenie.
4	Regulacja wysokości stołu - obniżanie.
5	Regulacja kąta łamania podnóżka - podnoszenie.
6	Regulacja kąta łamania podnóżka - obniżanie.
7	3 poziomy ustawienia temperatury: Po naciśnięciu przycisku zapala się kontrolka, funkcja grzania działa na 3 poziomie temperatury 45+/-5°C Naciśnij przycisk ponownie, światło szybko miga, ogrzewanie zmienia się na 2. poziom temperatury 40+/-5°C Naciśnij przycisk ponownie, światło powoli miga, ogrzewanie zmienia się na 1. poziom temperatury 35+/-5°C Naciśnij przycisk ponownie, światło zgaśnie, funkcja ogrzewania zostanie zatrzymana. System ogrzewania zatrzyma się automatycznie, jeśli po godzinie nie będzie żadnej operacji na stole. Naciśnij przycisk ponownie, aby uruchomić funkcję grzania.

### IV. FUNKCJA PODGRZEWANIA BLATU:

Leżysko stołu nagrzewa się stopniowo. Po włączeniu funkcji ogrzewania, stół nagrzej się do temperatury ok. 45°C, z możliwością regulacji do niższej temperatury (odpowiednio 40 i 35°C +/-5°C). Po osiągnięciu zaprogramowanej temperatury, funkcja ogrzewania automatycznie wyłączy się po upływie godziny. W celu ponownego uruchomienia funkcji ogrzewania, należy włączyć funkcję na pilocie sterującym.

**Uwaga!** Na odczuwalną temperaturę ogrzewania ma wpływ temperatura otoczenia. Jeśli temperatura otoczenia jest wysoka, prędkość ogrzewania jest szybsza, a odczuwalna temperatura końcowa jest nieco wyższa niż temperatura standardowa. Jeśli temperatura otoczenia jest niska, prędkość ogrzewania jest mniejsza, a odczuwalna temperatura końcowa jest nieco niższa niż standardowa.

## V. UWAGI EKSPLOATACYJNE

- Użytkować stół zgodnie z instrukcją obsługi.
- Uszkodzenia powstałe w skutek niestosowania się do powyższych uwag nie są podstawą do reklamacji.
- Urządzenie nie jest przeznaczone do użytkowania przez osoby o ograniczonej sprawności fizycznej lub umysłowej oraz nieposiadające odpowiedniego doświadczenia i wiedzy, chyba że używają go pod nadzorem lub po otrzymaniu wskazówek od osoby odpowiedzialnej za ich bezpieczeństwo.
- Stołu powinny używać wyłącznie osoby dorosłe i w sposób zgodny z instrukcją.
- Stół przeznaczony jest do użytku wewnątrz pomieszczeń suchych i zamkniętych oraz do zabiegów tylko dla jednej osoby jednocześnie.
- Nie dopuszcza się przenoszenia stołu wraz z pacjentem.
- Zabrania się gwałtownego siadania na stół (wskakiwania).
- Zabrania się siadania, klękania i opierania na podgłówku, półkach i podłokietnikach.
- Jeżeli pacjent układa się na stole bez ubrania, rehabilitant powinien zastosować podkłady jednorazowe lub zdezynfekować stół.
- Należy unikać długotrwałego kontaktu tapicerki stołu z olejkami. W tym celu należy stosować okrycie olejoodporne lub nieprzemakalne prześcieradła.
- Stół powinien być użytkowany i przechowywany z dala od bezpośrednich źródeł ognia i ciepła.
- Stołu nie należy narażać na długotrwałe działanie promieni słonecznych. Może to spowodować odbarwienie tapicerki stołu.
- Po przyniesieniu z zimnego pomieszczenia stół podłączać do sieci elektrycznej po odczekaniu 15 minut.
- Zaleca się wykonać pełną regulację wysokości stołu w zakresie od minimalnej do maksymalnej, aby zapewnić równomierne rozprowadzenie smaru wewnątrz silnika. Zapewnia to prawidłową konserwację stołu oraz wydłuża żywotność silnika. Czynność należy powtórzyć 2, 4-krotnie min. raz w tygodniu.
- Nie należy wyjmować wtyczki z gniazdka, ciągnąc za kabel.
- Nie należy demontować urządzenia i próbować dostać się do jego wnętrza.

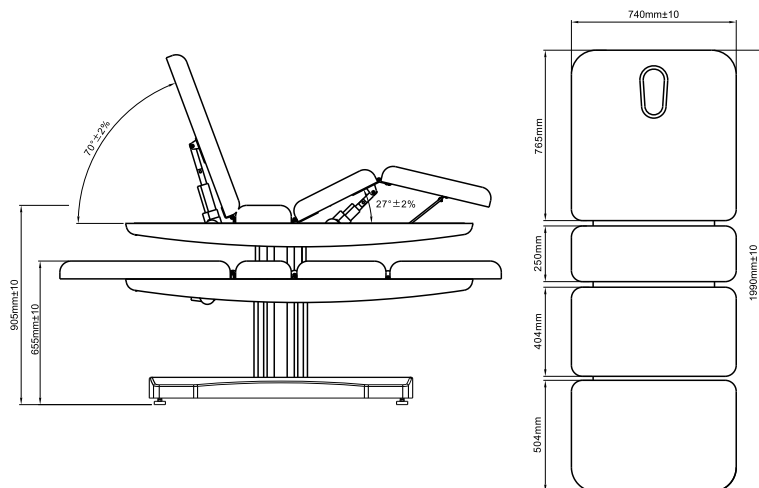
## VI. KONSERWACJA I CZYSZCZENIE

**Stal i elementy lakierowane.** Do czyszczenia takich elementów zalecane są produkty nie zawierające środków ściernych. Dezynfekować w razie potrzeby i sporadycznie.



Zgodnie z przepisami ustawy o zużytym sprzęcie elektrycznym i elektronicznym, zabronione jest wyrzucanie zużytego sprzętu oznakowanego symbolem przekreślonego kosza wraz z innymi odpadami gospodarczymi. Zużyty sprzęt należy oddać do właściwego punktu zbiórki. Powyższe obowiązki ustawowe wprowadzone zostały w celu ograniczenia ilości odpadów powstałych ze zużytego sprzętu elektrycznego i elektronicznego oraz zapewnienia odpowiedniego poziomu zbierania, odzysku i recyklingu zużytego sprzętu. Prawidłowa realizacja tych obowiązków ma znaczenie zwłaszcza w przypadku, gdy w zużytym sprzęcie znajdują się składniki niebezpieczne, które mają szczególnie negatywny wpływ na środowisko i zdrowie ludzi.

## VII. DANE TECHNICZNE



Waga stołu	83 kg
Zasilanie elektryczne	220~240V, 50Hz/ 60Hz
Moc maksymalna	300W
Maksymalna temperatura ogrzewania	45+/-5°C
Temperatura otoczenia	od 0°C do + 40°C
Wilgotność otoczenia	od 30% do 90%
Maksymalne obciążenie	175 kg
Wymiary leżyska	199 x 74 cm (+/- 1cm)
Wysokość (regulowana)	od 65 do 90 cm (+/- 1cm)

## VIII. LEGENDA DO PIKTOGRAMÓW



Uwaga



W czasie przechowywania chronić przed wilgocią i przemoczeniem



Nazwa i adres producenta



Maksymalne obciążenie



Znak CE – zgodność wyrobu z wymaganiami Rozporządzenia o wyrobach medycznych 2017/745/EU



Zapoznaj się z instrukcją użycia



Wyrób medyczny



Data produkcji



Autoryzowany przedstawiciel

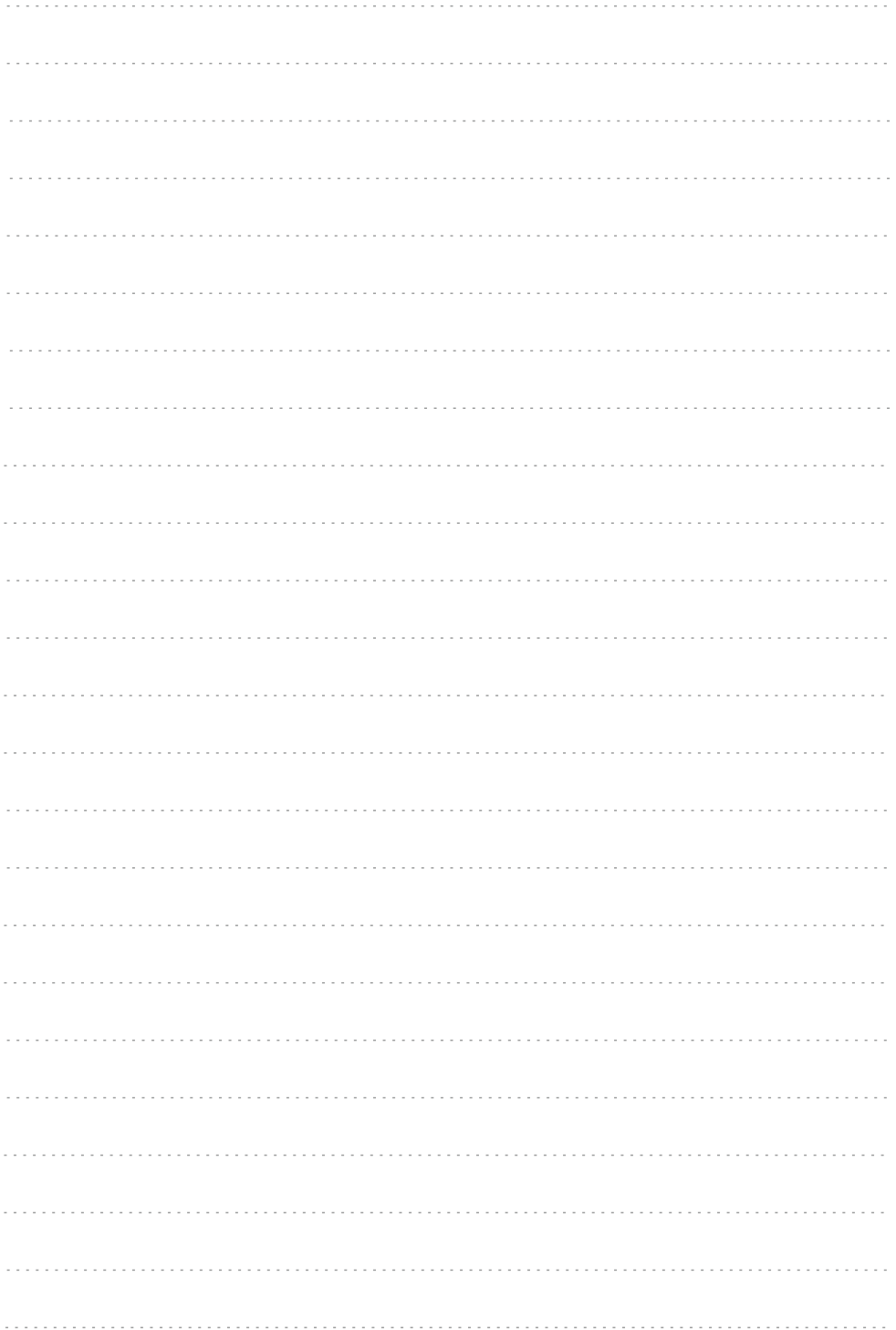


Importer



## IX. WARUNKI GWARANCJI

1. Dla potrzeb niniejszego dokumentu:
  - a) „Producent” oznacza HABYS Spółką z ograniczoną odpowiedzialnością z siedzibą w Jasle, ul. Produkcyjna 16, 38-200 Jasło, wpisaną do rejestru przedsiębiorców prowadzonego przez Sąd Rejonowy w Rzeszowie XII Wydział Gospodarczy Krajowego Rejestru Sądowego, z przypisanym numerem KRS: 0000513317, z kapitałem zakładowym w wysokości 10.750.000 złotych (słownie: dziesięć milionów siedemset pięćdziesiąt tysięcy złotych), kapitał stały opłaconym w całości, NIP: 6852208438, REGON: 180186290.
  - b) „Nabywca” oznacza ostatecznego Nabywcę sprzętu wytworzonego przez Producenta, w tym zarówno konsumenta jak i przedsiębiorcę.
  - c) „Dystrybutor” oznacza podmiot, który na podstawie umowy z Producentem dokonuje sprzedaży Sprzętu na oznaczonym terenie.
  - d) „Autoryzowany Serwis” oznacza wyłącznie serwis prowadzony przez Producenta lub wskazany przez Producenta serwis prowadzony przez jego Dystrybutora,
  - e) „Sprzęt” oznacza rzecz ruchomą, wytworzoną przez Producenta, będącą przedmiotem umowy sprzedaży, a której dotyczy przedmiotowa gwarancja.
2. Producent zapewnia dobrą jakość i sprawne działanie sprzętu, na który wydana została przedmiotowa karta gwarancyjna, w okresie: 2 lat dla elementów konstrukcyjnych, 2 lata dla elementów tapicerowanych oraz akcesoria elektroniczne i hydrauliczne 2 lata.
3. Naprawa gwarancyjna nie obejmuje czynności przewidzianych w instrukcji obsługi, do wykonania których Nabywca jest zobowiązany we własnym zakresie (montaż Sprzętu, konserwacja Sprzętu, itp.).
4. Odpowiedzialność z tytułu gwarancji obejmuje tylko wady powstałe z przyczyn tkwiących w Sprzęcie. Gwarancja w szczególności nie obejmuje uszkodzeń powstałych w wyniku niewłaściwego lub niezgodnego z instrukcją użytkowania, przechowywania, konserwacji lub transportu Sprzętu, a także różnic kolorystycznych między częściami narażonymi i nienarażonymi na działanie promieniowania słonecznego, wpływu środków chemicznych lub ściernych, zanieczyszczeń atmosferycznych lub przypadkowych przekuć i przetarć, obecności plam lub pierścieni po tłustych lub barwiących substancjach (tłuszczach, kremach, balsamach lub olejach), trwałego zabarwienia środkami barwiącymi takimi jak tusze, permanentne markery czy inne nietrwałe barwniki stosowane w produkcji odzieży (np. barwników używanych do wytworzenia odzieży typu niebieski jeans).
5. Gwarancja nie obejmuje uszkodzeń mechanicznych Sprzętu.
6. Nabywca traci uprawnienia wynikające z gwarancji w przypadku:
  - a) stwierdzenia przez Producenta, że w okresie gwarancyjnym Sprzęt był naprawiany poza Autoryzowanym Serwisem,
  - b) dokonania w Sprzęcie jakichkolwiek modyfikacji konstrukcyjnych bez uprzedniej, pisemnej zgody Producenta,
  - c) używania Sprzętu niezgodnie z jego przeznaczeniem,
  - d) używania Sprzętu po ujawnieniu się w nim wady konstrukcyjnej.
7. Niezależnie od utraty uprawnień gwarancyjnych, opisanych powyżej, w punkcie 6, Producent nie ponosi również odpowiedzialności za żadne szkody w mieniu lub wyrządzone osobom trzecim, jakie może spowodować używanie Sprzętu objętego gwarancją.
8. Gwarancja nie wyłącza, ani też nie ogranicza uprawnień wynikających z tytułu rękojmi za wady. Wykonanie uprawnień z gwarancji nie wpływa na odpowiedzialność sprzedawcy z tytułu rękojmi. W razie wykonywania przez Nabywcę uprawnień z gwarancji, bieg terminu do wykonania uprawnień z tytułu rękojmi ulega zawieszeniu z dniem zawiadomienia Producenta o wadzie. Termin ten biegnie dalej od dnia odmowy przez Producenta wykonania obowiązków wynikających z gwarancji albo bezskutecznego upływu czasu na ich wykonanie.
9. Zasięg ochrony gwarancyjnej, ograniczony jest do terytorium państwa, w którym nastąpiła sprzedaż Sprzętu.
10. Producent wykona swoje obowiązki wynikające z gwarancji (usunięcia wad lub uszkodzeń konstrukcji Sprzętu powstałych z przyczyn tkwiących w Sprzęcie, a ujawnionych w okresie gwarancji) bezpłatnie w terminie 14 dni od daty dostarczenia Sprzętu do Producenta lub Autoryzowanego Serwisu. Jeżeli naprawa Sprzętu nie może być wykonana we wskazanym powyżej terminie, Producent poinformuje Nabywcę o powyższym, a także wskaże przyczyny opóźnienia i przewidywany termin realizacji uznanego zgądania gwarancyjnego.
11. Skorzestanie z uprawnień gwarancyjnych wymaga łącznego (kumulatywnego) spełnienia czterech warunków:
  - a) przedstawienia faktury VAT, paragonu lub innego dowodu zakupu sprzętu przez Nabywcę, a nadto dokumentacji fotograficznej wadliwego Sprzętu wraz z krótkim opisem powodów zgłoszenia roszczenia gwarancyjnego,
  - b) zgłoszenia wady w terminie 14 (czternastu) dni od jej wykrycia,
  - c) dostarczenia sprzętu w oryginalnym opakowaniu na koszt Producenta, na jego adres wskazany powyżej w karcie gwarancyjnej lub na adres Autoryzowanego Serwisu,
  - d) oznaczenia miejsca dostarczenia przez Producenta sprzętu po dokonaniu jego naprawy (z ograniczeniem do państwa, w którym dokonany był zakup Sprzętu).
12. Okres gwarancji ulega przedłużeniu o czas trwania naprawy, liczony od dnia dostarczenia Sprzętu do Producenta lub Autoryzowanego Serwisu, do dnia w którym Sprzęt został zwrócony Nabywcy.
13. Do obowiązków Producenta lub Autoryzowanego Serwisu należy określenie zakresu i sposobu naprawy Sprzętu.
14. Gwarancja ograniczona jest do naprawy Sprzętu. Producent zastrzega sobie prawo wymiany Sprzętu na wolny od wad, w przypadku gdyby naprawa przekraczała cenę Sprzętu wskazaną w dowodzie jego zakupu. Nabywcy, w ramach gwarancji, nie przysługuje żądanie wymian Sprzętu na nowy. Gwarancja w szczególności nie obejmuje odpowiedzialności za straty lub szkody powstałe u Nabywcy w związku z pozbawieniem go możliwości korzystania ze Sprzętu.
15. Producent nie bierze odpowiedzialności za uszkodzenia Sprzętu powstałe w trakcie wykonywania usługi transportowej przez przedsiębiorcę przewoźnego do chwili jego odbioru przez Producenta od przedsiębiorcy przewoźowego.
16. Jeżeli przesyłka Sprzętu była zlecona przez Producenta, obowiązkiem Nabywcy jest sprawdzenie stanu technicznego Sprzętu przy jego odbiorze. Jeżeli Nabywca stwierdzi, że przesyłka lub znajdujący się w niej Sprzęt uległ uszkodzeniu, Nabywca powinien:
  - a) niezwłocznie, nie później niż w ciągu 3 dni od daty odbioru przesyłki, zawiadomić Producenta o wszelkich uszkodzeniach Sprzętu, które powstały w trakcie transportu, w celu umożliwienia Producentowi zgłoszenia reklamacji przedsiębiorcy transportowemu i dochodzenia związanych z tym roszczeń,
  - b) dostarczyć Producentowi protokół reklamacyjny spisany pomiędzy Nabywcą i przedsiębiorcą transportowym.
17. Regulacje dotyczące gwarancji zawarte w niniejszym dokumencie są jedynymi i wyłącznymi zasadami gwarancji na produkty HABYS Spółki z ograniczoną odpowiedzialnością.







Other language versions available here:  
Andere Sprachversionen verfügbar unter:  
Inne wersje językowe dostępne pod adresem:



[www.habys.com/warrantymanuals](http://www.habys.com/warrantymanuals)

**Manufacturer**

Silverfox Corporation Limited  
NO.18, 1st Tongle Road  
529000 TangXia, Pengjiang  
Made in China

**Authorized Representative**

HABYS Sp. z o.o.  
ul. Produkcyjna 16  
38-200 Jasło, PL  
[www.habys.com](http://www.habys.com)