

Assembly, instruction manual & warranty for wooden couch ALEXA

Montage, Bedienungsanleitung und Garantie von ALEXA Holzliegen

Montaż, instrukcja obsługi i gwarancja leżanek drewnianych ALEXA

AVENO *Life*
massage starts here

Thank you for choosing AVENO LIFE products and congratulations on your purchase. We recall that the proper use and maintenance of the products ensure full satisfaction of their use for many years.

Danke, dass Sie sich für Produkte AVENO LIFE entschieden haben und herzlichen Glückwunsch zu Ihrem erfolgreichen Kauf. Wir möchten daran erinnern, dass die korrekte Verwendung und Wartung der Produkte die volle Zufriedenheit mit ihrer Nutzung über viele Jahre hinweg gewährleistet.

Dziękujemy Państwu za wybór produktów AVENO LIFE i gratulujemy udanego zakupu. Przypominamy, że prawidłowe użytkowanie i serwisowanie produktów zapewnia pełną satysfakcję z ich użytkowania przez wiele lat.



User Manual number / Anleitungsnummer / Numer instrukcji: 046/2022

User Manual release date / Datum der Ausstellung der Anleitung / Data wydania instrukcji: 23.08.2023

EN ENGLISH

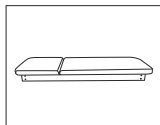
page 4

DE DEUTSCH

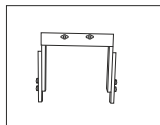
Seite 8

PL POLSKI

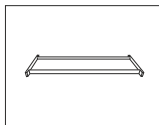
strona 12



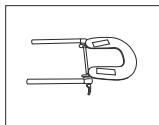
A 1 × Bed surface
1 × Blatt
1 × Blat



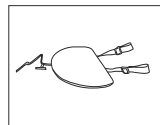
B 2 × Legs
2 × Beine
2 × Nogi



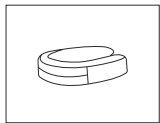
C 1 × Wooden board
1 × Regal
1 × Półka



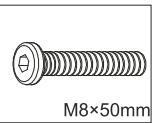
D 1 × Face cradle
1 × Rahmen der
Kopfstütze
1 × Stelaż podglówka



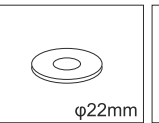
E 1 × Hand pallet
1 × Regal unter den
Armen
1 × Półka pod ramiona



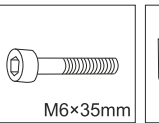
F 1 × Headrest
1 × Kopfstütze
1 × Podglówek



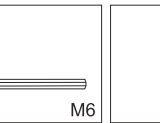
G 8 × Screws
8 × Schrauben
8 × Śruby



H 8 × Gasket
8 × Dichtung
8 × Uszczelka



I 8 × Screws
8 × Schrauben
8 × Śruby

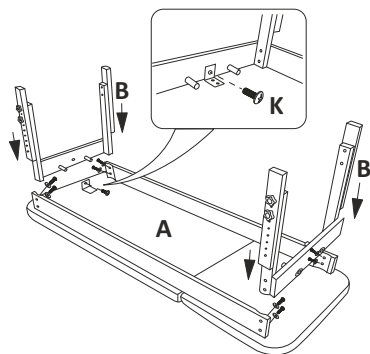


J 1 × Allen key
1 × Inbusschlüssel
1 × Imbus

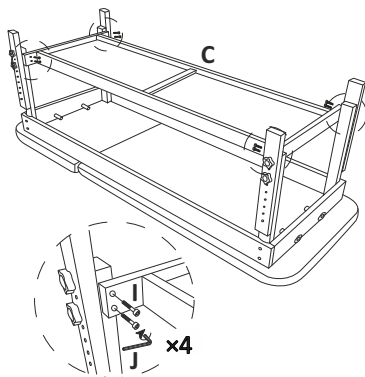


K 8 × Screws*
8 × Schrauben*
8 × Śruby*

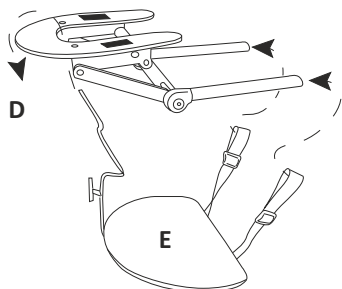
1



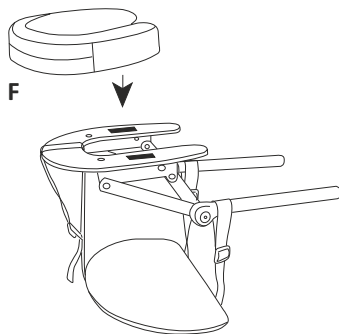
2

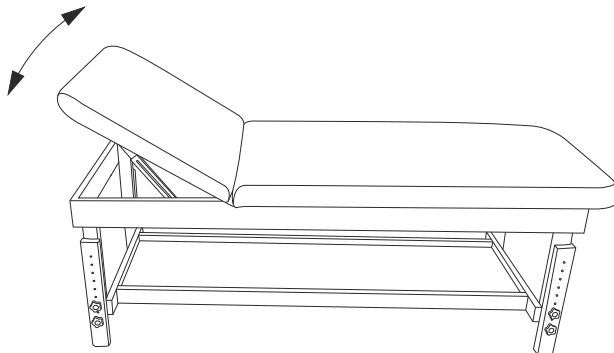
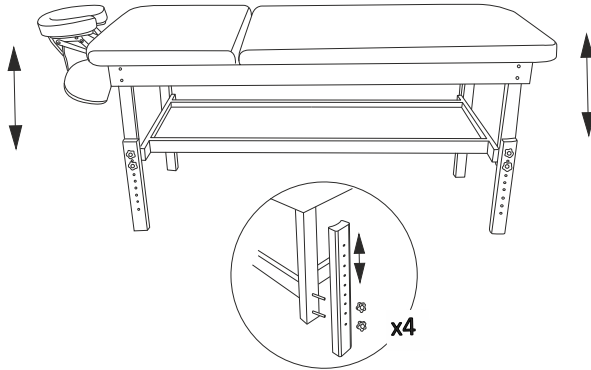
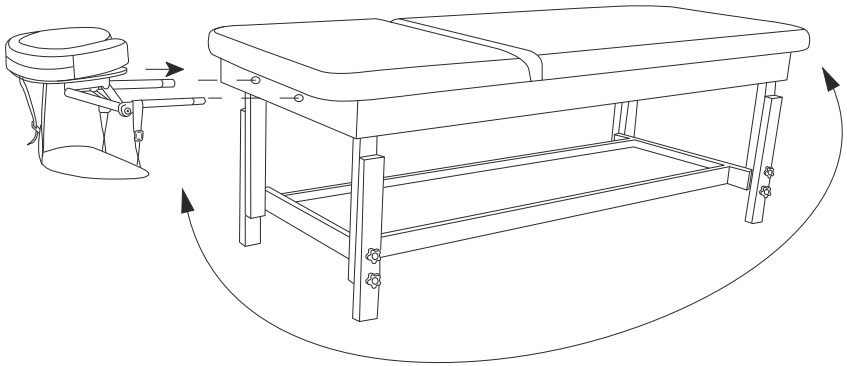


3



4

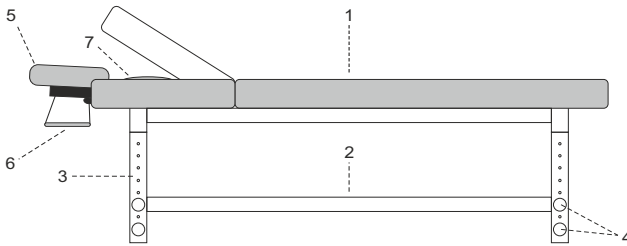




I. APPLICATION.

Wooden couches enable the physiotherapist correct, safe and effective conduct of rehabilitation treatment, physiotherapy, physical therapy, massage, aiming at treating or alleviating the course of illnesses and the results of injuries /impairments. Used at the medical and doctor's offices, they allow patients to adopt the correct posture for conducting effective and safe treatment or examination. The construction of the wooden couches enables the physiotherapist easy and complete access to the patient from each side, thanks to which all various treatments produce desired results and ensure proper conditions for the conduct of a treatment/examination.

II. CONSTRUCTION.



- | | |
|---------------|---------------------|
| 1. Table top | 5. Headrest |
| 2. Shelf | 6. Arms front shelf |
| 3. Mobile leg | 7. Face hole filler |
| 4. Knob | |

III. OPERATION.

- Put the couch on a hard and even foundation.
- Set the appropriate couch height as shown in the table entitled "Height adjustment".
- Install the headrest (5) and the remaining equipment (6, 7).
- Lifting of the mobile part of the couch takes place by setting the required height by hand.
ATTENTION! The lifting of the mobile part of the couch is possible only when the headrest is mounted on the opposite side of the movable part.
- Lowering of the mobile part of the couche takes place by its maximum lifting and then lowering it down and securing by means of hook and loop fastener.

IV. HEIGHT ADJUSTMENT.

1	2	3	Description of activities
			<ol style="list-style-type: none"> Unscrew a knob. Remove the mobile leg from the fixing screw, move the mobile leg to the chosen position. Tighten the knobs.

V. LAYING THE PATIENT.

The patient sits at the couch side onto the upholstered top and adopts a comfortable horizontal position. The above-mentioned activities are safeguarded by the massage therapist, who determines the correct position on the table for the patients, and after the finished treatment helps them get down safely from the table.

VI. MAINTENANCE, CLEANING AND DISINFECTION.

1. **Lacquered elements.** For cleaning products that do not contain abrasives are recommended.
2. **Wood, plywood.** Surfaces made of wood or plywood should be cleaned by means of soft damp cloth wiping them until dry. No chemical agents should be used. Notice! Wood as a natural raw material may have differences in the tree ring layout, differences in the shades as well as natural inserts like: streaks, dots. Such properties do not constitute a basis for a complaint.
3. **Upholstery.**
 - Avoid contact with oils. To do this, use oil-resistant or waterproof cover sheets.
 - Upholstery should be used and stored away from direct sources of fire and heat.
 - Upholstery should not be exposed to long-lasting sunlight.
 - Do not use: pastes, waxes, sprays, strong detergents, agents containing solvents, cleaning agents for natural leather.
 - Dirt from oils, creams must be immediately removed with a mild detergent solution (warm water with potassium soap solution) and a soft cloth or sponge.
 - Daily soiling should be cleaned with a mild detergent, preferably potassium soap solution with a sponge or soft brush. At the end, wipe the cleaned place with a damp cloth and then wipe dry.
 - Stronger spot soiling should be cleaned using a 25% solution of ethyl alcohol. Wipe gently with soaked gauze swab. At the end, wipe the cleaned place with a damp cloth and then wipe dry.
 - Disinfect if necessary disinfectants dedicated to PVC, PU upholsteries. After disinfecting the tabletop or the mattress with any disinfectant thoroughly dry up the upholstery before inserting it into the carrying case. Otherwise upholstery could be permanently stained.

Attention: Before using other agent than mild detergent you need to check its influence on the place out of eyeshot. Cleaning should be carried out carefully.

VIII. EXPLOITATION REMARKS.

1. The couch is intended for use inside the dry and closed rooms and for the treatment of one person only at a time.
2. It is unacceptable to shift the couch along with a patient on it.
3. Rapid sitting on the couch (jumping on) is forbidden.
5. Sitting, kneeling and basing on the headrest, shelves and armrests is forbidden.
7. The couch should be used and stored far away from the direct sources of fire and heat.
8. Correct use of the couch will guarantee its long and failure-free exploitation.
9. Damages that arose as a result of noncompliance of the above-mentioned instructions do not constitute a basis for a complaint.
10. The couch should be used in accordance with the instruction manual.
11. Every person using the couch should familiarise oneself with the terms of the warranty and to observe them.
12. Only after meeting the above recommendations there are no contraindications to use the product.
13. Each serious incident related to the device should be reported to the manufacturer and the competent authority of the Member State in which the user and/or patient is established.

VIII. TECHNICAL DETAILS.

Name	Alexa
Segments length	61/123 cm
Width	70 cm
Height	64,5 - 83,5 cm
Length	185 cm
Tilting of the headrest	0° - 57°
Weight with accesories	31 kg
Foam thickness	6 cm
Dynamic resistance*	270 kg
Static resistance**	1100 kg
Max load allowed	270 kg

*Dynamic resistance - measurement made with an evenly distributed dynamic load, simulating the tensions that occur during a typical classical massage.

**Static resistance - measurement made with an evenly distributed, fixed static load.

IX. MEANING OF PICTOGRAPHS.



Attention



Keep dry during storage



Manufacturer's name and address



Maximum load



CE mark - product compliance with the requirements of the Medical Devices Regulation (MDR) 2017/745/EU



See the instruction manual for use



Medical device



Importer



Date of manufacture



Authorized Representative in the EC

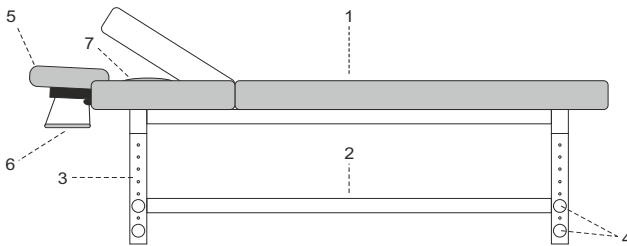
1. For the purposes of the guarantee:
 - a) "Manufacturer" refers to HABYS Spółka z ograniczoną odpowiedzialnością (Limited Liability Company) with its registered seat in Jasło, ul. Produkcyjna 16, 38-200 Jasło, entered into the Register of Entrepreneurs kept by the District Court in Rzeszów, XII Commercial Division of the National Court Register, with the assigned KRS number: 0000513317, with the share capital in the amount of PLN 10.750.000 (ten million seven hundred fifty thousand zlotys), the capital has been fully paid up, NIP: 6852208438, REGON: 180186290.
 - b) "Buyer" refers to the final Buyer of the equipment, manufactured by the Manufacturer, including both the consumer and the entrepreneur.
 - c) "Distributor" refers to an entity that, under an agreement with the Manufacturer, sells the Equipment in a designated area.
 - d) "Authorized Service Centre" refers only to a service held by the Manufacturer or a service indicated by the Manufacturer and held by its Distributor,
 - e) "Equipment" refers to a movable item, manufactured by the Manufacturer, being the subject of the sales and to which the said warranty applies.
2. The manufacturer ensures good quality and efficient operation of the equipment for which the warranty card has been issued, for the period of: 2 years for constructional elements, 2 years for upholstered elements.
3. The guarantee repair does not include the activities provided for in the manual, which the Buyer is obliged to perform on his own (installation of the Equipment, maintenance of the Equipment, etc.).
4. Liability under the guarantee covers only defects resulting from causes inherent in the Equipment., In particular, the guarantee does not cover any damage resulting from improper or inconsistent use, storage, maintenance or transport of the Equipment, as well as colour differences between the parts exposed and not exposed to solar radiation, the influence of chemical or abrasive agents, atmospheric pollution or accidental punctures and abrasions, the presence of stains or rings from greasy or dyeing substances (fats, creams, lotions or oils), permanent staining with dyes such as inks, permanent markers or other non-permanent dyes used in the production of clothing (e.g. dyes used to make blue jeans).
5. The guarantee does not cover any mechanical damage to the Equipment.
6. The buyer loses the guarantee rights in the event of:
 - a) the Manufacturer states that the Equipment was repaired by entity other than the Authorized Service,
 - b) making any design modifications to the Equipment without the prior written consent of the Manufacturer,
 - c) using the Equipment contrary to its intended use,
 - d) using the Equipment after revealing any defect in it.
7. Regardless of the loss of the guarantee rights, described above, in point 6, the Manufacturer shall not be liable for any damage to property or caused to third parties, which may be caused by the use of the Equipment covered by the guarantee.
8. The guarantee does not exclude or limit the rights resulting from the warranty for defects. Exercising the rights under the guarantee does not affect the seller's liability under the warranty for defects. If the Buyer exercises the rights under the guarantee, the time limit for the exercise of the rights under the warranty for defects is suspended on the date the Manufacturer is notified of the defect. The period runs further from the date of the Manufacturer's refusal to perform the obligations arising from the guarantee or the ineffective expiry of the time for their performance.
9. The scope of the guarantee coverage is limited to the territory of the country in which the Equipment was sold.
10. The Manufacturer shall perform its obligations under the guarantee (removal of defects or damage to the structure of the Equipment arising from reasons inherent in the Equipment, and disclosed during the guarantee period) free of charge within 14 days from the date of delivery of the Equipment to the Manufacturer or the Authorized Service Centre. If the repair of the Equipment cannot be performed within the above-mentioned period, the Manufacturer shall inform the Buyer of the above, and also indicate the reasons for the delay and the expected date of fulfilment of the recognized guarantee request.

11. The use of the guarantee rights requires the total (cumulative) fulfilment of four conditions:
 - a) presenting a VAT invoice, receipt or other proof of purchase of the equipment to the Manufacturer, photographic documentation of the defective Equipment, together with a brief description of the reasons for submitting a guarantee claim,
 - b) reporting the defect within 14 (fourteen) days of its detection,
 - c) delivering the Equipment in original packaging at the expense of the Manufacturer, to the address indicated above in the guarantee card or to the address of the Authorized Service Centre,
 - d) designation of the place where the Manufacturer delivers the equipment after repairing it (limited to the country in which the Equipment was purchased).
12. The guarantee period is extended for the duration of the repair, starting from the date of delivery of the Equipment to the Manufacturer or to the Authorized Service Centre, to the date on which the Equipment was returned to the Buyer.
13. The responsibility of the Manufacturer or the Authorized Service Centre is to define the scope and the method of repairing the Equipment.
14. The guarantee is limited to the repair of the Equipment. The Manufacturer reserves the right to replace the Equipment with a non-defective one, if the repair exceeds the price of the Equipment indicated in the proof of purchase. Under the guarantee, the Buyer shall not be entitled to demand that the Equipment be replaced with a new one. The guarantee, in particular, does not cover liability for losses or damages incurred by the Buyer in connection with the fact that one is not able to use the Equipment.
15. The Manufacturer shall not be liable for any damage to the Equipment caused during the performance of the transport service by the delivery company until it is collected by the Manufacturer from the delivery company.
16. If the shipment of the Equipment was ordered by the Manufacturer, the Buyer is obliged to check the technical condition of the Equipment upon its receipt. If the Buyer finds that the Equipment has been damaged during the transport, the Buyer is obliged to:
 - a) immediately, not later than within 3 days from the date of receipt of the shipment, notify the Manufacturer of any damage to the Equipment that occurred during transport, in order to enable the Manufacturer to submit a complaint to the delivery company and pursue related claims,
 - b) provide the Producer with a complaint report drawn up between the Buyer and the delivery company.
17. The guarantee regulations contained in this document are the sole and exclusive guarantee rules for HABYS limited liability products.

I. ANWENDUNG.

Die Holzliegen ermöglichen den Physiotherapeuten eine fachgerechte, sichere und effektive Durchführung von Rehabilitationsbehandlungen, Krankengymnastik, physikalischen Therapien, Massagen, die auf die Behandlung oder Linderung von Krankheitsverläufen und Folgen von Verletzungen/Behinderungen abzielen. Sie werden in medizinischen und ärztlichen Praxen verwendet und ermöglichen dem Patienten, die richtige Körperhaltung einzunehmen, um eine effektive und sichere Therapie oder Untersuchung durchzuführen. Die Bett-Konstruktion ermöglicht dem Physiotherapeuten einen einfachen und vollständigen Zugang zum Patienten von jeder Seite, wodurch alle Arten von Behandlungen die beabsichtigte Wirkung erzielen und angemessene Bedingungen für den Eingriff/die Untersuchung schaffen.

II. MONTAGE.



- | | |
|---------------------|------------------------------|
| 1. Obere Platte | 5. Kopfstütze |
| 2. Regal | 6. Regal unter den Armen |
| 3. Bewegliches Bein | 7. Gesichtsausschnittstecker |
| 4. Muttern | |

III. BEDIENUNG.

1. Stellen Sie die Liege auf eine feste und ebene Fläche.
2. Stellen Sie die richtige Höhe der Liege nach dem Schema "IV. Höhenverstellung" ein.
3. Installieren Sie die Kopfstütze (5) und sonstige Zubehörteile (6, 7).
4. Das Anheben des beweglichen Teils der Liege erfolgt durch manuelles Einstellen auf die gewünschte Höhe. **ACHTUNG!** Das Anheben des beweglichen Teils der Liege ist nur möglich, wenn die Kopfstütze auf der gegenüberliegenden Seite des beweglichen Teils angebracht ist.
5. Das Absenken des beweglichen Teils der Liege erfolgt durch maximales Anheben, Absenken und Verriegeln.

IV. HÖHENVERSTELLUNG.

1	2	3	Beschreibung der Handlungen
			<ol style="list-style-type: none"> 1. Lösen Sie die Muttern. 2. Das bewegliche Bein von der Befestigungsschraube entfernen und in die gewünschte Position verschieben. 3. Ziehen Sie die Muttern fest.

V. POSITIONIERUNG DES PATIENTEN.

Der Patient sitzt seitlich der Liege auf der Tischplatte und nimmt eine bequeme horizontale Position ein. Die Aktivitäten werden vom Masseur gesichert, indem er den Patienten in die richtige Position auf dem Tisch bringt und nach dem Eingriff hilft, sicher vom Tisch zu steigen.

VI. REINIGUNG UND DESINFEKTION.

1. **Lackierte Elemente.** Zur Reinigung werden nicht scheuernde Produkte empfohlen.
2. **Holz, Sperrholz.** Holz- oder Sperrholzoberflächen mit einem weichen, feuchten Tuch reinigen und sie trocken wischen. Keine Chemikalien verwenden. Hinweis! Als natürlicher Rohstoff kann Holz Unterschiede in der Maserung, Farbschattierungen sowie natürliche Einlagerungen wie Streifen und Punkte aufweisen. Solche Merkmale sind kein Grund zur Beanstandung.
3. **Polsterung.**
 - Vermeiden, dass die Polsterung des Tisches mit Ölen in Berührung kommt. Zu diesem Zweck sollten ölbeständige Abdeckungen oder wasserdichte Folien verwendet werden.
 - Die Polsterung sollte fern von direkten Feuer- und Wärmequellen verwendet und gelagert werden.
 - Die Polsterung sollte nicht über längere Zeit der Sonne ausgesetzt werden.
 - Folgendes nicht verwenden: Pasten, Wachse, Sprays, starke Reinigungsmittel, lösungsmittelhaltige Mittel, natürliche und ökologische Lederreiniger.
 - Verschmutzungen durch Öle und Cremes müssen sofort mit einem milden Reinigungsmittel (einer Lösung aus warmem Wasser und grauer Seife) und weichem Tuch oder Schwamm entfernt werden.
 - Täglicher Schmutz sollte mit einem milden Reinigungsmittel, vorzugsweise einer grauen Seifenlösung, mit einem Schwamm oder einer weichen Bürste entfernt werden. Zum Schluss die gereinigte Stelle mit einem feuchten Tuch abwischen und trocknen.
 - Örtlich stärkere Verschmutzungen sollten mit einer 25%igen Äthylalkohollösung entfernt werden, die vorsichtig mit einem getränkten Mulltupfer abgewischt wird. Zum Schluss die gereinigte Stelle mit einem feuchten Tuch abwischen und trocknen.
 - Bei Bedarf mit Mitteln Desinfizieren, die für die Desinfektion von PVC- und PU-Polstern geeignet sind. Nach der Desinfektion die Polsterung gründlich trocknen lassen, bevor Sie sie wieder in den Schoner legen. Andernfalls kann es zu einer dauerhaften Verschmutzung der Polsterung kommen.

Hinweis: Bevor Sie ein anderes Produkt als ein mildes Reinigungsmittel verwenden, muss die Wirkung an einer unauffälligen Stelle überprüft und die Reinigung sehr sorgfältig durchgeführt werden.

VII. BEDIENUNGSHINWEISE.

1. Die Liege ist für den Gebrauch in trockenen und geschlossenen Räumen und für Behandlungen von jeweils nur einer Person vorgesehen.
2. Die Liege darf nicht mit dem Patienten bewegt werden.
3. Es ist verboten, sich plötzlich auf die Liege zu setzen (Springen).
4. Das Sitzen, Knien und Anlehnen auf Kopfstützen ist verboten.
5. Die Liege sollte fern von direkten Feuer- und Wärmequellen verwendet und gelagert werden.
6. Die richtige Verwendung der Liege gewährleistet einen langen und störungsfreien Betrieb.
7. Die Schäden, die aus der Nichtbeachtung der vorstehenden Hinweise resultieren, begründen keine Reklamation.
8. Benutzen Sie die Liege gemäß der Bedienungsanleitung.
9. Lesen Sie die Garantiebedingungen und halten Sie sich daran.
10. Es gibt keine Kontraindikationen, das Produkt nur nach Erfüllung der oben genannten Empfehlungen zu verwenden.
11. Jeder schwerwiegende Vorfall im Zusammenhang mit dem Produkt sollte dem Hersteller und dem Amt für die Registrierung von Arzneimitteln, Medizinprodukten und Biozidprodukten gemeldet werden.

VIII. TECHNISCHE DATEN.

Bezeichnung	Liege Alexa
Länge der Tischplattensegmente	61/123 cm
Breite	70 cm
Höhe	64,5 - 83,5 cm
Länge	185 cm
Anpassung des Kissenhebewinkels	0° - 57°
Gewicht mit Zubehör	31 kg
Schaumdicke	6 cm
Dynamische Festigkeit*	270 kg
Statische Festigkeit**	1100 cm
Maximale Belastung	270 kg

* Dynamische Festigkeit– Messung mit gleichmäßig verteilter dynamischer Belastung, die die Belastungen simuliert, die während einer typischen klassischen Massage auftreten.

**Statische Festigkeit – gemessen bei gleichmäßig verteilter, stationärer statischer Belastung.

DE

IX. LEGENDE ZU DEN PIKTOGRAMMEN.



Achtung



Vor Feuchtigkeit und Nässe während der Lagerung schützen



Name und Anschrift des Herstellers



Maximale Belastung



CE-Kennzeichnung - Übereinstimmung des Produkts mit den Anforderungen der Medizinprodukteverordnung 2017/745/EU



Die Gebrauchsanweisung lesen



Medizinisches Produkt



Importeur



Produktionsdatum



Autorisierter Händler in der Europäischen Gemeinschaft

1. Für die Zwecke dieses Dokuments:
 - a) „Hersteller“: HABYS Spółka z ograniczoną odpowiedzialnością mit Sitz in Jasło, ul. Produkcyjna 16, 38-200 Jasło, eingetragen in das vom Amtsgericht in Rzeszów 12. Wirtschaftskammer des Nationalen Gerichtsregisters geführte Unternehmerregister mit einer zugewiesenen KRS-Nummer: 0000513317, mit einem Stammkapital von 10.750.000 PLN (in Worten: zehn Millionen siebenhundertfünfzigtausend Zloty), das Kapital ist vollständig eingezahlt, Ust-IdNr.: 6852208438, REGON: 180186290.
 - b) „Käufer“ bezeichnet den Endabnehmer der vom Hersteller hergestellten Geräte, einschließlich Verbraucher und Unternehmen.
 - c) „Vertreiber“ ist ein Unternehmen, das im Rahmen eines Vertrags mit dem Hersteller die Geräte in dem bezeichneten Gebiet verkauft.
 - d) Unter „autorisierter Servicestelle“ ist nur die vom Hersteller geführte Servicestelle oder die vom Hersteller angegebene Servicestelle zu verstehen, die von seinem Vertreter geführt wird,
 - e) „Gerät“ ist eine vom Hersteller hergestellte bewegliche Sache, die Gegenstand eines Kaufvertrags ist und für die die betreffende Gewährleistung gilt.
2. Der Hersteller garantiert die gute Qualität und den effizienten Betrieb der Geräte, für die diese Garantiekarte ausgestellt wurde, für folgenden Zeitraum: 2 Jahre für Konstruktionselemente, 2 Jahre für Polsterelemente und 2 Jahre für elektronisches und hydraulisches Zubehör.
3. Die Garantiereparatur umfasst nicht die in der Betriebsanleitung vorgesehenen Tätigkeiten, die der Käufer selbst durchführen muss (Montage des Geräts, Wartung des Geräts usw.).
4. Die Haftung im Rahmen der Garantieerstreckt sich nur auf Mängel, die auf Ursachen zurückzuführen sind, die in der Ausstattung liegen. Die Garantie erstreckt sich insbesondere nicht auf Schäden, die durch unsachgemäßen oder nicht vorschriftsmäßigen Gebrauch, Lagerung, Wartung oder Transport des Geräts verursacht werden, sowie auf Farbunterschiede zwischen Teilen, die dem Sonnenlicht ausgesetzt sind und solchen, die es nicht sind, auf die Einwirkung von Chemikalien oder Scheuermitteln, auf Luftverschmutzung oder auf zufällige Einstiche und Abschürfungen, auf das Vorhandensein von Flecken oder Ringen, die durch fettige oder gefärbte Substanzen (Fette, Cremes, Lotionen oder Öle) verursacht werden, auf die dauerhafte Färbung mit Farbstoffen wie Tinten, Permanentmarkern oder anderen nicht dauerhaften Farbstoffen, die bei der Herstellung von Kleidung verwendet werden (z. B. Farbstoffe, die bei der Herstellung von Kleidung des Typs Blue Jeans verwendet werden).
5. Die Garantiedeckt keine mechanischen Schäden am Gerät ab.
6. Der Käufer verliert die Rechte aus der Gewährleistung in folgenden Fällen:
 - a) Der Hersteller feststellt, dass das Gerät während der Garantiezeit außerhalb der autorisierten Servicestelle repariert wurde,
 - b) Es wurden ohne vorherige schriftliche Zustimmung des Herstellers baulichen Veränderungen an der Ausrüstung vorgenommen,
 - c) Das Gerät wurde für andere als die vorgesehenen Zwecke gebraucht,
 - d) Das Gerät wurde gebraucht, nachdem ein Konstruktionsfehler daran festgestellt worden ist.
7. Unbeschadet des oben in Abschnitt 6 beschriebenen Verlusts der Garantierechte haftet der Hersteller auch nicht für Sachschäden oder Schäden, die Dritten durch die Verwendung der unter die Garantie fallenden Geräte entstehen.
8. Durch die Garantie werden die Rechte aus der Mängelgewährleistung weder ausgeschlossen noch beschränkt. Die Ausübung der Garantierechte berührt nicht die Haftung des Verkäufers aus der Gewährleistung. Macht der Käufer von seinen Rechten aus der Garantie Gebrauch, so wird der Lauf der Frist für die Ausübung der Rechte aus der Gewährleistung ab dem Zeitpunkt der Mitteilung des Mangels an den Hersteller unterbrochen. Diese Frist läuft ab dem Zeitpunkt der Weigerung des Herstellers, die Verpflichtungen aus der Garantie zu erfüllen, oder ab dem Zeitpunkt, zu dem die Frist für deren Erfüllung unwirksam verstrichen ist.
9. Der Umfang des Garantieschutzes ist auf das Gebiet des Landes beschränkt, in dem das Gerät verkauft wurde.
10. Der Hersteller ist verpflichtet, seine Garantieverpflichtungen (Beseitigung von Mängeln oder Schäden an der Struktur des Geräts, die auf Ursachen zurückzuführen sind, die dem Gerät innewohnen und während der Garantiezeit auftreten) innerhalb von 14 Tagen ab dem Tag der Lieferung des Geräts an den Hersteller oder an die autorisierte Servicestelle kostenlos zu erfüllen. Kann die Reparatur des Geräts nicht innerhalb

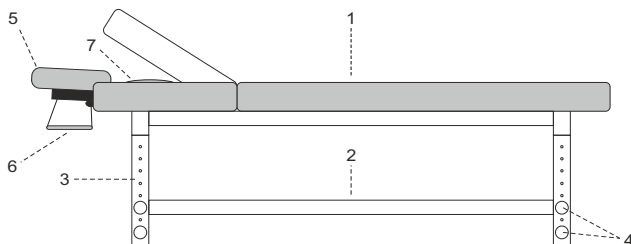
der oben genannten Frist durchgeführt werden, so teilt der Hersteller dies dem Käufer unter Angabe der Gründe für die Verzögerung und des voraussichtlichen Datums der Erfüllung des anerkannten Garantieanspruchs mit.

11. Die Ausübung der Garantierechte setzt die gemeinsame (kumulative) Erfüllung von vier Bedingungen voraus:
 - a) eine MwSt.-Rechnung, eine Quittung oder einen anderen Nachweis über den Kauf des Geräts durch den Käufer sowie eine fotografische Dokumentation des defekten Geräts zusammen mit einer kurzen Beschreibung der Gründe für die Geltendmachung des Garantieanspruchs vorlegen,
 - b) den Mangel innerhalb von 14 (vierzehn) Tagen nach seiner Entdeckung melden,
 - c) das Gerät in seiner Originalverpackung auf Kosten des Herstellers an seine oben in der Garantiekarte angegebene Adresse oder an die Adresse der autorisierten Servicestelle liefern,
 - d) den Ort angeben, an den das Gerät nach der Reparatur vom Hersteller geliefert wird (beschränkt auf das Land, in dem das Gerät gekauft wurde).
12. Die Garantiefrist verlängert sich um die Dauer der Reparatur, gerechnet ab dem Tag der Übergabe des Geräts an den Hersteller oder die autorisierte Kundendienststelle bis zu dem Tag, an dem das Gerät an den Käufer zurückgegeben wird.
13. Es liegt in der Verantwortung des Herstellers oder des autorisierten Dienstleisters, den Umfang und die Art der Reparatur des Geräts zu bestimmen.
14. Die Garantie ist auf die Reparatur des Geräts beschränkt. Der Hersteller behält sich das Recht vor, das Gerät durch ein mängelfreies Gerät zu ersetzen, wenn die Reparatur den im Kaufbeleg angegebenen Preis des Gerätes übersteigt. Der Käufer ist nicht berechtigt, im Rahmen der Gewährleistung den Ersatz der Ausrüstung zu verlangen. Die Garantie erstreckt sich insbesondere nicht auf die Haftung für Verluste oder Schäden, die dem Käufer dadurch entstehen, dass er an der Nutzung des Geräts gehindert wird.
15. Der Hersteller haftet nicht für Schäden am Gerät, die während des Transports durch den Transportunternehmer entstanden sind, bis der Hersteller das Gerät von dem Transportunternehmer erhalten hat.
16. Wurde die Lieferung des Geräts vom Hersteller in Auftrag gegeben, so obliegt es dem Käufer, den technischen Zustand des Geräts bei Erhalt zu überprüfen. Stellt der Käufer fest, dass die Sendung oder das darin enthaltene Gerät beschädigt sind, so ist der Käufer verpflichtet:
 - a) dem Hersteller unverzüglich, spätestens innerhalb von 3 Tagen nach Erhalt der Sendung, alle während des Transports aufgetretenen Schäden am Gerät mitzuteilen, damit der Hersteller eine Reklamation beim Transportunternehmen einreichen und entsprechende Ansprüche geltend machen kann,
 - b) dem Hersteller ein Reklamationsprotokoll zur Verfügung zu stellen, das zwischen dem Käufer und dem Transportunternehmen erstellt wurde.
17. Die in diesem Dokument enthaltenen Garantiebestimmungen sind die einzigen und ausschließlichen Garantiebestimmungen für die Produkte von HABYS Spółka z ograniczoną odpowiedzialnością.

I. ZASTOSOWANIE.

Leżanki drewniane umożliwiają fizjoterapeucie prawidłowe, bezpieczne i efektywne prowadzenie zabiegów rehabilitacyjnych, fizjoterapii, fizykoterapii, masażu, mających na celu leczenie lub łagodzenie przebiegu chorób oraz skutków urazów/upośledzeń. Stosowane w gabinetach medycznych i lekarskich umożliwiają pacjentom przybranie prawidłowej postawy do przeprowadzenia efektywnego i bezpiecznego zabiegu lub badania. Budowa leżanek pozwala fizjoterapeucie na łatwy i pełny dostęp do pacjenta z każdej strony, dzięki czemu wszelkiego rodzaju zabiegi przynioszą zamierzony skutek i zapewniają odpowiednie warunki do prowadzenia zabiegu/badania.

II. BUDOWA.


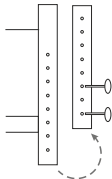



- | | |
|-----------------|-------------------------------|
| 1. Błat górny | 5. Podgłówek |
| 2. Półka | 6. Półka pod ramiona |
| 3. Noga ruchoma | 7. Zatyczka wycięcia na twarz |
| 4. Nakrętki | |

III. OBSŁUGA.

1. Ustawić leżankę na twardym i równym podłożu.
2. Ustawić odpowiednią wysokość leżanki według schematu „IV. Regulacja wysokości”.
3. Zamontować podgłówek (5) i pozostałe wyposażenie (6, 7).
4. Unoszenie części ruchomej leżanki odbywa się poprzez ręczne ustawienie na żądaną wysokość.
UWAGA! Unoszenie części ruchomej leżanki jest możliwe tylko wtedy, gdy podgłówek zamocowany jest po przeciwnej stronie części ruchomej.
5. Opuszczenie części ruchomej leżanki odbywa się poprzez jej maksymalne uniesienie, opuszczenie na dół i zablokowanie.

IV. REGULACJA WYSOKOŚCI.

1	2	3	Opis czynności
			<ol style="list-style-type: none"> 1. Odkręcić nakrętki. 2. Zdjąć nogę ruchomą ze śruby mocującej, przełożyć ją w wybraną połozenie. 3. Zakręcić nakrętki.

V. UŁOŻENIE PACJENTA.

Pacjent siada z boku leżanki na blat i przyjmuje dogodną mu pozycję poziomą. Czynności asekuje masażysta, wyznaczając pacjentowi właściwe ułożenie na stole, a po skończonym zabiegu pomaga bezpiecznie zejść ze stołu.

VI. CZYSZCZENIE I DEZYNFEKCJA.

PL

1. **Elementy lakierowane.** Do czyszczenia zalecane są produkty nie zawierające środków ściernych.
2. **Drewno, sklejka.** Powierzchnie drewniane lub ze sklejki należy czyścić za pomocą miękkiej wilgotnej szmatki wycierając je do sucha. Nie należy stosować żadnych środków chemicznych. Uwaga! Drewno jako naturalny surowiec może posiadać różnice w układzie słoju, różnice w odcieniach koloru jak i naturalne wstawki typu: smugi, kropki. Cechy takie nie są podstawą do reklamacji.
3. **Tapicerka.**
 - Należy unikać kontaktu tapicerki stołu z olejkami. W tym celu należy stosować okrycia olejoodporne lub nieprzemakalne prześcieradła.
 - Tapicerka powinna być użytkowana i przechowywana z dala od bezpośrednich źródeł ognia i ciepła.
 - Tapicerki nie należy narażać na długotrwałe działanie promieni słonecznych.
 - Nie należy stosować: past, wosków, sprayów, silnych detergentów, środków zawierających rozpuszczalniki, środków do czyszczenia skóry naturalnej i ekologicznej.
 - Zabrudzenia olejkami, kremami, muszą być natychmiast usunięte za pomocą łagodnego detergentu (roztwór ciepłej wody z szarym mydłem) oraz miękkiej szmatki lub gąbki.
 - Codzienne zabrudzenia należy usuwać stosując łagodny detergent, najlepiej roztwór szarego mydła z użyciem gąbki lub miękkiej szczotki. Na koniec należy przetrzeć czyszczone miejsce wilgotną szmatką po czym wytrzeć do sucha.
 - Miejscowe, silniejsze zabrudzenia należy usuwać stosując 25% roztwór alkoholu etylowego, delikatnie przecierać nasączonym tamponem z gazy. Na koniec należy przetrzeć czyszczone miejsce wilgotną szmatką po czym wytrzeć do sucha.
 - Dezynfekować w razie potrzeby środkami dedykowanymi do dezynfekcji tapicerek PVC, PU. Po zdezynfekowaniu tapicerki, należy przed włożeniem do pokrowca, dokładnie ją osuszyć, doprowadzając do całkowitego wyschnięcia. W przeciwnym wypadku może dojść do trwałego zabarwienia tapicerki.

Uwaga: Przed użyciem środka innego niż łagodny detergent trzeba sprawdzić efekt w niewidocznym miejscu, a samo czyszczenie wykonać bardzo ostrożnie.

VII. UWAGI EKSPLOATACYJNE.

1. Leżanka przeznaczona jest do użytku wewnątrz pomieszczeń suchych i zamkniętych oraz do zabiegów tylko dla jednej osoby jednocześnie.
2. Nie dopuszcza się przenoszenia leżanki wraz z pacjentem.
3. Zabrania się gwałtownego siadania na leżankę (wskakiwania).
5. Zabrania się siadania, klękania i opierania na podgłówku.
7. Leżanka powinna być użytkowana i przechowywana z dala od bezpośrednich źródeł ognia i ciepła.
8. Właściwe użytkowanie leżanki zapewni długą i bezawaryjną eksploatację.
9. Uszkodzenia powstałe w skutek niestosowania się do powyższych uwag nie są podstawą do reklamacji.
10. Użytkować leżankę zgodnie z instrukcją obsługi.
11. Zapoznać się z warunkami gwarancji i ich przestrzegać.
12. Brak przeciwwskazań do użycia wyrobu tylko i wyłącznie po spełnieniu powyższych zaleceń.
13. Każdy poważny incydent związany z wyrobem należy zgłosić do producenta i Urzędu Rejestracji Produktów Leczniczych, Wyrobów Medycznych i Produktów Biobójczych.

VIII. DANE TECHNICZNE.

Nazwa	Leżanka Alexa
Długość segmentów blatów	61/123 cm
Szerokość	70 cm
Wysokość	64,5 - 83,5 cm
Długość	185 cm
Regulacja kąta podnoszenia poduszki	0° - 57°
Waga z wyposażeniem	31 kg
Grubość pianki	6 cm
Wytrzymałość dynamiczna*	270 kg
Wytrzymałość statyczna**	1100 cm
Maksymalne obciążenie	270 kg

* Wytrzymałość dynamiczna – pomiar dokonywany przy równomiernie rozłożonym obciążeniu dynamicznym, symulującym naprężenia występujące podczas typowego masażu klasycznego.

**Wytrzymałość statyczna – pomiar dokonywany przy równomiernie rozłożonym, nieruchomym obciążeniu statycznym.

IX. LEGENDA DO PIKTOGRAMÓW.



Uwaga



W czasie przechowywania chronić przed wilgocią i przemoczeniem



Nazwa i adres producenta



Maksymalne obciążenie



Znak CE – zgodności wyrobu z wymaganiami Rozporządzenia o wyrobach medycznych 2017/745/EU



Zapoznaj się z instrukcją użycia



Wyrób medyczny



Importer



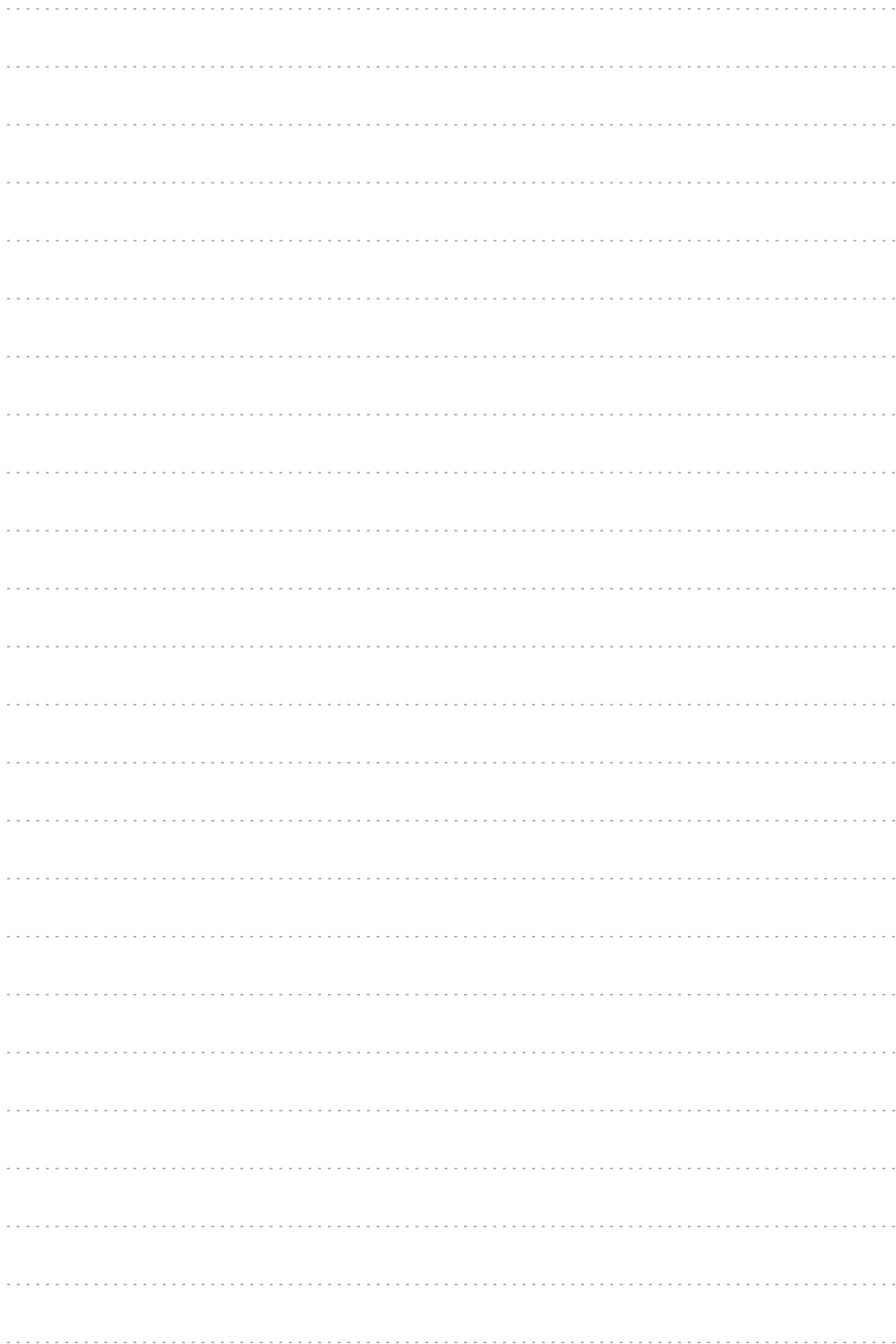
Data produkcji



Autoryzowany przedstawiciel we Wspólnocie Europejskiej

1. Dla potrzeb niniejszego dokumentu:
 - a) „Producent” oznacza HABYS Spółką z ograniczoną odpowiedzialnością z siedzibą w Jaśle, ul. Produkcyjna 16, 38-200 Jasło, wpisaną do rejestru przedsiębiorców prowadzonego przez Sąd Rejonowy w Rzeszowie XII Wydział Gospodarczy Krajowego Rejestru Sądowego, z przypisanym numerem KRS: 0000513317, z kapitałem zakładowym w wysokości 10.750.000 złotych (słownie: dziesięć milionów siedemset pięćdziesiąt tysięcy złotych), kapitał został opłaconym w całości, NIP: 6852208438, REGON: 180186290.
 - b) „Nabywca” oznacza ostatecznego Nabywcę sprzętu wytworzonego przez Producenta, w tym zarówno konsumenta jak i przedsiębiorcę.
 - c) „Dystrybutor” oznacza podmiot, który na podstawie umowy z Producentem dokonuje sprzedaży Sprzętu na oznaczonym terenie.
 - d) „Autoryzowany Serwis” oznacza wyłącznie serwis prowadzony przez Producenta lub wskazany przez Producenta serwis prowadzony przez jego Dystrybutora,
 - e) „Sprzęt” oznacza rzecz ruchomą, wytworzoną przez Producenta, będącą przedmiotem umowy sprzedaży, a której dotyczy przedmiotowa gwarancja.
2. Producent zapewnia dobrą jakość i sprawne działanie sprzętu, na który wydana została przedmiotowa karta gwarancyjna, w okresie: 2 lat dla elementów konstrukcyjnych oraz 2 lata dla elementów tapicerowanych.
3. Naprawa gwarancyjna nie obejmuje czynności przewidzianych w instrukcji obsługi, do wykonania których Nabywca jest zobowiązany we własnym zakresie (montaż Sprzętu, konserwacja Sprzętu, itp.).
4. Odpowiedzialność z tytułu gwarancji obejmuje tylko wady powstałe w przyczyn tkwiących w Sprzęcie. Gwarancja w szczególności nie obejmuje uszkodzeń powstałych w wyniku niewłaściwego lub niezgodnego z instrukcją użytkowania, przechowywania, konserwacji lub transportu Sprzętu, a także różnic kolorystycznych między częściami narażonymi i nienarażonymi na działanie promieniowania słonecznego, wpływu środków chemicznych lub ściernych, zanieczyszczeń atmosferycznych lub przypadkowych przekłuć i przetarć, obecności plam lub pierścieni po tłustych lub barwiących substancjach (tłuszczach, kremach, balsamach lub olejach), trwałego zabarwienia środkami barwiącymi takimi jak tusze, permanentne markery czy inne nietrwałe barwniki stosowane w produkcji odzieży (np. barwników używanych do wytworzenia odzieży typu niebieski jeans).
5. Gwarancja nie obejmuje uszkodzeń mechanicznych Sprzętu.
6. Nabywca traci uprawnienia wynikające w gwarancji w przypadku:
 - a) stwierdzenia przez Producenta, że w okresie gwarancyjnym Sprzęt był naprawiany poza Autoryzowanym Serwisem,
 - b) dokonania w Sprzęcie jakichkolwiek modyfikacji konstrukcyjnych bez uprzedniej, pisemnej zgody Producenta,
 - c) używania Sprzętu niezgodnie z jego przeznaczeniem,
 - d) używania Sprzętu po ujawnieniu się w nim wady konstrukcyjnej.
7. Niezależnie od utraty uprawnień gwarancyjnych, opisanych powyżej, w punkcie 6, Producent nie ponosi również odpowiedzialności za żadne szkody w mieniu lub wyrządzone osobom trzecim, jakie może spowodować używanie Sprzętu objętego gwarancją.
8. Gwarancja nie wyłącza, ani też nie ogranicza uprawnień wynikających z tytułu rękojmi za wady. Wykonanie uprawnień z gwarancji nie wpływa na odpowiedzialność sprzedawcy z tytułu rękojmi. W razie wykonywania przez Nabywcę uprawnień z gwarancji, bieg terminu do wykonania uprawnień z tytułu rękojmi ulega zawieszeniu z dniem zawiadomienia Producenta o wadzie. Termin ten biegnie dalej od dnia odmowy przez Producenta wykonania obowiązków wynikających z gwarancji albo bezskutecznego upływu czasu na ich wykonanie.
9. Zasięg ochrony gwarancyjnej, ograniczony jest do terytorium państwa, w którym nastąpiła sprzedaż Sprzętu.
10. Producent wykona swoje obowiązki wynikające z gwarancji (usunięcia wad lub uszkodzeń konstrukcji Sprzętu powstałych w przyczyn tkwiących w Sprzęcie, a ujawnionych w okresie gwarancji) bezpłatnie w terminie 14 dni od daty dostarczenia Sprzętu do Producenta lub Autoryzowanego Serwisu. Jeżeli naprawa Sprzętu nie może być wykonana we wskazanym powyżej terminie, Producent poinformuje Nabywcę o powyższym, a także wskaże przyczyny opóźnienia i przewidywany termin realizacji uznanego żądania gwarancyjnego.

11. Skorzystanie z uprawnień gwarancyjnych wymaga łącznego (kumulatywnego) spełnienia czterech warunków:
 - a) przedstawienia faktury VAT, paragonu lub innego dowodu zakupu sprzętu przez Nabywcę, a nadto dokumentacji fotograficznej wadliwego Sprzętu wraz z krótkim opisem powodów zgłoszenia roszczenia gwarancyjnego,
 - b) zgłoszenia wady w terminie 14 (czternastu) dni od jej wykrycia,
 - c) dostarczenia sprzętu w oryginalnym opakowaniu na koszt Producenta, na jego adres wskazany powyżej w karcie gwarancyjnej lub na adres Autoryzowanego Serwisu,
 - d) oznaczenia miejsca dostarczenia przez Producenta sprzętu po dokonaniu jego naprawy (z ograniczeniem do państwa, w którym dokonany był zakup Sprzętu).
12. Okres gwarancji ulega przedłużeniu o czas trwania naprawy, liczony od dnia dostarczenia Sprzętu do Producenta lub Autoryzowanego Serwisu, do dnia w którym Sprzęt został zwrócony Nabywcy.
13. Do obowiązków Producenta lub Autoryzowanego Serwisu należy określenie zakresu i sposobu naprawy Sprzętu.
14. Gwarancja ograniczona jest do naprawy Sprzętu. Producent zastrzega sobie prawo wymiany Sprzętu na wolny od wad, w przypadku gdyby naprawa przekraczała cenę Sprzętu wskazaną w dowodzie jego zakupu. Nabywcy, w ramach gwarancji, nie przysługuje żądanie wymiany Sprzętu na nowy. Gwarancja w szczególności nie obejmuje odpowiedzialności za straty lub szkody powstałe u Nabywcy w związku z pozbawieniem go możliwości korzystania ze Sprzętu.
15. Producent nie bierze odpowiedzialności za uszkodzenia Sprzętu powstałe w trakcie wykonywania usługi transportowej przez przedsiębiorcę przewozowego do chwili jego odbioru przez Producenta od przedsiębiorcy przewozowego.
16. Jeżeli przesyłka Sprzętu była zlecona przez Producenta, obowiązkiem Nabywcy jest sprawdzenie stanu technicznego Sprzętu przy jego odbiorze. Jeżeli Nabywca stwierdzi, że przesyłka lub znajdujący się w niej Sprzęt uległ uszkodzeniu, Nabywca powinien:
 - a) niezwłocznie, nie później niż w ciągu 3 dni od daty odbioru przesyłki, zawiadomić Producenta o wszelkich uszkodzeniach Sprzętu, które powstały w trakcie transportu, w celu umożliwienia Producentowi zgłoszenia reklamacji przedsiębiorcy transportowemu i dochodzenia związanych z tym roszczeń,
 - b) dostarczyć Producentowi protokół reklamacyjny spisany pomiędzy Nabywcą i przedsiębiorcą transportowym.
17. Regulacje dotyczące gwarancji zawarte w niniejszym dokumencie są jedynymi i wyłącznymi zasadami gwarancji na produkty HABYS Spółki z ograniczoną odpowiedzialnością.



AVENO *Life*

massage starts here

Other language versions available here:
Andere Sprachversionen verfügbar unter:
Inne wersje językowe dostępne pod adresem:



www.habys.com/warrantymanuals

Manufacturer

ANJI BAISHENGJU FURNITURE CO., LTD
Green Home Furnishing Industrial Park,
Anji County, Huzhou City, Zhejiang Province, China
Made in China

Authorized Representative

HABYS Sp. z o.o.
ul. Produkcyjna 16
38-200 Jasło, PL
www.habys.com