

Operating instructions for electric cosmetic chairs

Bedienungsanleitung für elektrische Kosmetiksessel

Instrukcja obsługi i elektrycznych foteli kosmetycznych



## Luxoria PRO 5

Please read the manual and the included safety instructions before using the chair.

Bevor Sie den Tisch benutzen, machen Sie sich bitte mit dem Inhalt dieser Anleitung und den darin enthaltenen Sicherheitshinweisen vertraut.

Przed rozpoczęciem użytkowania stołu, prosimy o zapoznanie się z treścią niniejszej instrukcji i zawartych w niej informacjami o bezpieczeństwie użytkowania.



User Manual number / Anleitungsnummer / Numer instrukcji: 76/2025/4  
User Manual release date / Datum der Ausstellung der Anleitung / Data wydania instrukcji: 19.02.2026

EN ENGLISH

page 2

DE DEUTSCH

Seite 9

PL POLSKI

strona 16

This manual provides detailed guidance on the operation and maintenance of the equipment. Before use, read this document carefully and follow the recommendations it contains. Keep these instructions for future reference. Ensure that all potential users of the equipment are familiar with the contents of this manual before using the equipment.

## I. INTRODUCTION

The Luxoria PRO 5 armchair is an excellent choice for beauty salons. The versatility of this product also makes it ideal for massage, pedology and physiotherapy practices, luxury wellness & spa centres and creative tattoo studios. With its robust construction and aesthetic design, the Luxoria PRO 5 armchair blends in perfectly with modern interior furnishings. Ergonomic design and advanced adjustment features ensure maximum comfort for clients and professionals alike.

## II. INSTALLATION

### **Unpack the chair:**

- Carefully open the package to avoid damaging the contents.
- Remove all packaging materials such as foil, foam or tape.
- Ensure that all seat components are present as per the contents list.

### **Check seat for damage:**

- Carry out a thorough visual inspection of the seat, paying particular attention to metal parts, plastic parts and upholstery.
- If you notice any scratches, dents, cracks or other damage, do not plug the chair.

### **Contact seller in case of damage:**

- Contact the seller by telephone or e-mail, informing them of any damage you have noticed.
- Include photos of the damage and packaging to help identify the problem.
- Follow the dealer's instructions on next steps, such as returning the seat or replacing parts.

### **Check completeness of accessories:**

- Ensure that all accessories listed in the instructions are present.
- If you find discrepancies with your order during delivery, please notify the seller immediately.

### **Storage and use of the electric control chair:**

- The chair should be stored and used in normal dry conditions, indoors, where the temperature is controlled between +10°C and +40°C and the relative humidity is between 30% and 75%.
- If the chair will be stored at temperatures below 0°C, set the recommended room temperature for at least 5 hours before using it.

### TIPS!

- Children and inexperienced people should not use this electric cosmetic chair.
- Please read the operating instructions carefully before use.
- Children must be supervised and should not play near the seat to avoid risks.
- For safety, the electric beauty chair and its systems should be switched off when not in use and left unattended.
- After use, unplug the power cord.

### III. CONNECTION TO MAINS

Before inserting the plug into an electrical outlet, ensure that:

- The socket is connected correctly to earthing and that it complies with current regulations.
- The socket is able to withstand the maximum power load of the appliance.
- The socket corresponds to the plug. If not, the socket must be replaced.
- The mains voltage is as specified in the Technical Data table.



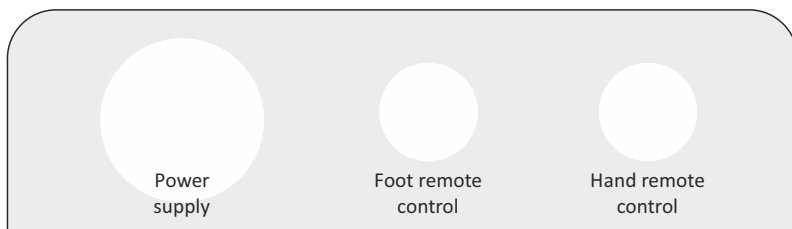
- Do not use extension cords.
- Use an unbent cable.
- The electrical supply cable may only be replaced by an authorised specialist.
- Do not carry out any repairs to electric actuators yourself.
- Avoid direct sunlight, UV radiation, rain, excessive dust, humidity.

**NOTE!**

The manufacturer is not responsible if the above rules are not followed.

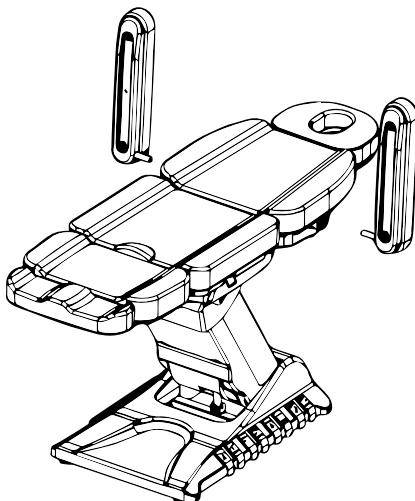
### IV. LUXORIA PRO 5 ELECTRIC CHAIR CONNECTION AND OPERATING INSTRUCTIONS

Connect the power cord to a suitable external power source, ranging from 110 V to 240 V.



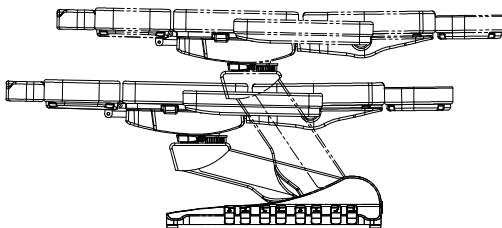
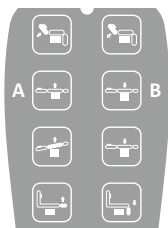
**Armrest installation method:**

The chair must be in a horizontal position in order to fit armrests to it. Slide the armrest into the hole located on the side of the backrest. The armrest should be firmly attached. Twist it so that it goes into place properly. Do the same with the other armrest. The armrest can be rotated by 180°.



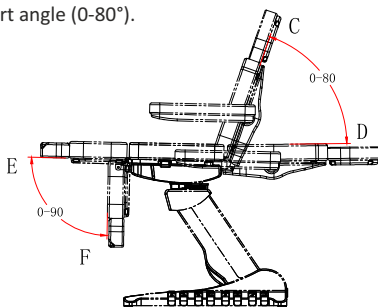
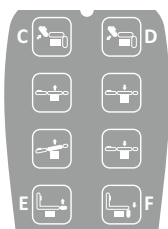
The Luxoria PRO 5 cosmetic chair is fully controllable by electric remote control.

**A-B:** Electrically adjustable seat height (66-94 cm).

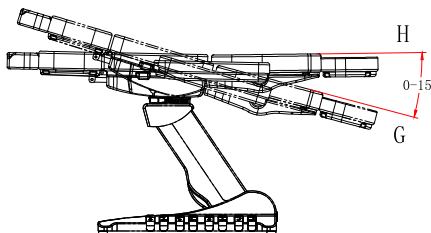
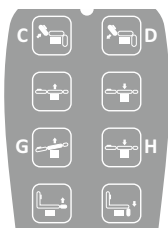


**C-D:** Electrically adjustable back support angle (0-80°).

**E-F:** Footrest angle adjustment (0-90°).



**G-H:** Angle adjustment of the entire chair (0-15°).



**Additional settings on the remote control:**

**J:** Reset settings: backrest raised to highest level, legs lowered to lowest level and entire seat to lowest level.

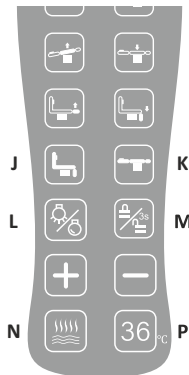
**K:** Reset settings: the backrest lowers to the lowest level and the legs raise to the highest level.

**L:** Switching the backlight on/off.

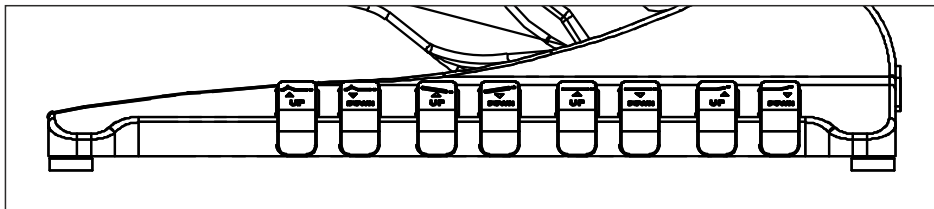
**M:** Lock, hold button for one second to lock, all functions, other key operations disabled; hold for 3 seconds to unlock.

**N:** Heating on/off.

**P:** Display of backrest and seat temperature in real time. When you turn the heating on, the '+' and '-' buttons are used to adjust the temperature.



## Control function via buttons integrated in the product frame:

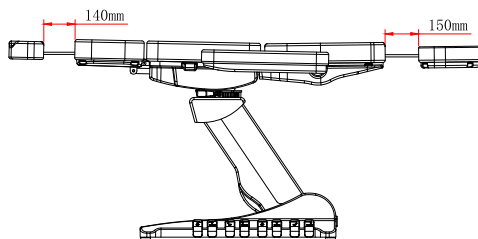


1. Electrically adjustable angle of footrest adjustment (0-90°).
2. Electrically adjustable angle of inclination of the entire seat (0-15°).
3. Electrically adjustable seat height (66-94 cm).
4. Electrically adjustable back support angle (0-80°).

### Additional chair settings possible.

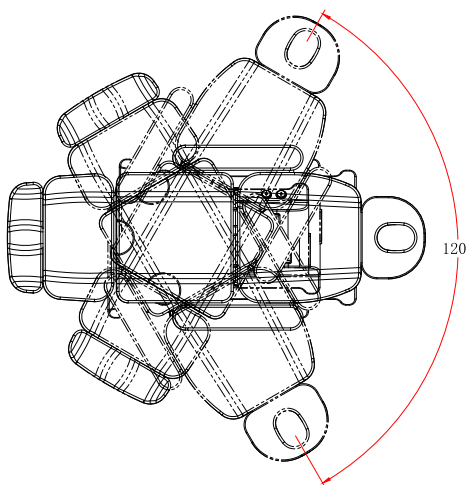
#### Footrest/headrest extension function:

In order to adapt the product to users of different heights, the footrest and headrest have been designed with an adjustable length, allowing it to be extended for optimum comfort and support.



#### Chair rotation function:

To enable the chair to rotate from 0° to 120°, simply release the lever located under the seat. This gives the user complete freedom of movement and unparalleled comfort and convenience.



## V. WARNINGS AND PRECAUTIONS

- Use the chair in accordance with the operating instructions.
- Damage caused by non-compliance with the above remarks does not constitute grounds for complaint.
- This appliance is not intended for use by persons with reduced physical or mental capacity or lacking experience and knowledge, unless they use it under supervision or after receiving instructions from a person responsible for their safety.
- The chairs should only be used by adults and in accordance with the instructions.

- The chair is designed for indoor use in dry and confined spaces and for treatments carried out exclusively for one person at a time.
- Do not move the chair with the patient.
- It is forbidden to sit down abruptly on the seat (jumping in).
- Sitting, kneeling and leaning on the bolster, shelves and armrests is prohibited.
- Avoid prolonged contact of the seat upholstery with oils. Oilproof coverings or waterproof sheets should be used for this purpose.
- The chair should be used and stored away from direct sources of fire and heat.
- Do not expose the seat to prolonged sunlight to avoid discolouration of the upholstery.
- After bringing the chair from the cold room, wait 15 minutes before plugging it in.
- It is advisable to fully adjust the height of the seat from minimum to maximum to ensure even distribution of the lubricant inside the engine. This should be repeated 2-4 times a week to ensure proper maintenance of the seat and to prolong the life of the engine.
- Do not remove the plug from the socket by pulling on the cable.
- Do not dismantle the unit or attempt to access its interior.
- When getting on and off the chair, special caution must be exercised. Do not sit on the edges of the seat or place your weight on elements such as the footrest, armrests, or headrest. Such behavior may cause the chair to lose stability, which can result in the user falling and the device being damaged.
- The manufacturer is not liable for accidents, injuries, or damages resulting from improper use of the chair, particularly from failure to follow the safety instructions described in this manual.
- The chair may only be used if the above recommendations are met.

## VI. MAINTENANCE AND MAINTENANCE MEASURES

### **\*Unplug the power cord before cleaning\***

To keep the surface of the electric cosmetic chair in impeccable condition, it must be cleaned regularly. It is important to carry out cleaning and disinfection before each new user to ensure hygiene and comfort. In addition, thorough disinfection is recommended every month to maintain the highest standards of cleanliness and safety.

### **Metal and plastic surfaces**

To keep metal and plastic surfaces and remote controls in pristine condition, use a soft cloth and a gentle, cleaning agent. Use a small brush to clean hard-to-reach areas such as corners and other nooks and crannies. When cleaning, wipe the surfaces with a cloth, avoiding excessive amounts of liquid. Then use a disinfectant, following the manufacturer's instructions, and let the surfaces dry to room temperature.

### **Chair surface**

To keep the chair's surface in perfect condition, wipe it down with a clean, soft cloth and then evenly apply a special upholstery cleaner. After its application, wipe the surface again with a clean, soft cloth to ensure even cleaning. Regular cleaning has a positive effect on the quality and life of the surface.


### **Maintenance:**

Professional users are responsible for implementing regular maintenance procedures, both monthly and semi-annually. Inspect the controls and their wiring weekly, checking the condition and function of the following parts at least once every six months:

1. Power cable and its attachment.
2. Engine wiring.
3. Correct attachment of accessories.
4. Complete all adjustments and make sure the bed is working properly.

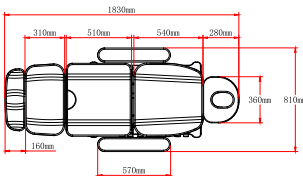
If any defects are found, stop using the equipment immediately. For example, if the device makes unusual noises or does not work properly, contact the after-sales service. Only experienced or authorised personnel may open or replace the actuator or control unit.

!



In accordance with the provisions of the law on electrical and electronic equipment waste, it is prohibited to dispose of used equipment marked with the symbol of the crossed out bin with other household waste. Used equipment should be returned to proper collection point. The above statutory obligations were introduced in order to limit the amount of waste generated from electrical and electronic equipment waste and ensure an appropriate level of collection, recovery and recycling of used equipment. The correct implementation of these obligations is important especially when used equipment contains hazardous components that have especially negative impact on the environment and human health.

## VII. PRODUCT SPECIFICATIONS

	Dimensions	Height adjustment range	Weight	Maximum load	Temperature control	Electricity supply
Luxoria PRO 5		66 - 94 cm	66 kg	200 kg	Heat level between 35°C and 60°C.	110V-240V

## VIII. MEANING OF PICTOGRAPHS



Attention



Keep dry during storage



See the instruction manual for use



Maximum load



CE mark

## VIII. WARRANTY CONDITIONS

1. For the purposes of the guarantee:
  - a) "Manufacturer" refers to HABYS Spółka z ograniczoną odpowiedzialnością (Limited Liability Company) with its registered seat in Jasło, ul. Produkcyjna 16, 38-200 Jasło, entered into the Register of Entrepreneurs kept by the District Court in Rzeszów, XII Commercial Division of the National Court Register, with the assigned KRS number: 0000513317, with the share capital in the amount of PLN 10.750.000 (ten million seven hundred fifty thousand zlotys), the capital has been fully paid up, NIP: 6852208438, REGON: 180186290.
  - b) "Buyer" refers to the final Buyer of the equipment, manufactured by the Manufacturer, including both the consumer and the entrepreneur.
  - c) "Distributor" refers to an entity that, under an agreement with the Manufacturer, sells the Equipment in a designated area.
  - d) "Authorized Service Centre" refers only to a service held by the Manufacturer or a service indicated by the Manufacturer and held by its Distributor,
  - e) "Equipment" refers to a movable item, manufactured by the Manufacturer, being the subject of the sales and to which the said warranty applies.
2. **The manufacturer ensures good quality and efficient operation of the equipment, for which the warranty card has been issued, for the period of: 2 years for constructional elements, 2 years for upholstered elements and 2 years for electronic and hydraulic accessories.**
3. The guarantee repair does not include the activities provided for in the manual, which the Buyer is obliged to perform on his own (installation of the Equipment, maintenance of the Equipment, etc.).
4. Liability under the guarantee covers only defects resulting from causes inherent in the Equipment. In particular, the guarantee does not cover any damage resulting from improper or inconsistent use, storage, maintenance or transport of the Equipment, as well as colour differences between the parts exposed and not exposed to solar radiation, the influence of chemical or abrasive agents, atmospheric pollution or accidental punctures and abrasions, the presence of stains or rings from greasy or dyeing substances (fats, creams, lotions or oils), permanent staining with dyes such as inks, permanent markers or other non-permanent dyes used in the production of clothing (e.g. dyes used to make blue jeans).
5. The guarantee does not cover any mechanical damage to the Equipment.
6. The buyer loses the guarantee rights in the event of:
  - a) the Manufacturer states that the Equipment was repaired by entity other than the Authorized Service,
  - b) making any design modifications to the Equipment without the prior written consent of the Manufacturer,
  - c) using the Equipment contrary to its intended use,
  - d) using the Equipment after revealing any defect in it.
7. Regardless of the loss of the guarantee rights, described above, in point 6, the Manufacturer shall not be liable for any damage to property or caused to third parties, which may be caused by the use of the Equipment covered by the guarantee.
8. The guarantee does not exclude or limit the rights resulting from the warranty for defects. Exercising the rights under the guarantee does not affect the seller's liability under the warranty for defects. If the Buyer exercises the rights under the guarantee, the time limit for the exercise of the rights under the warranty for defects is suspended on the date the Manufacturer is notified of the defect. The period runs further from the date of the Manufacturer's refusal to perform the obligations arising from the guarantee or the ineffective expiry of the time for their performance.
9. The scope of the guarantee coverage is limited to the territory of the country in which the Equipment was sold.
10. The Manufacturer shall perform its obligations under the guarantee (removal of defects or damage to the structure of the Equipment arising from reasons inherent in the Equipment, and disclosed during the guarantee period) free of charge within 14 days from the date of delivery of the Equipment to the Manufacturer or the Authorized Service Centre. If the repair of the Equipment cannot be performed within the above-mentioned period, the Manufacturer shall inform the Buyer of the above, and also indicate the reasons for the delay and the expected date of fulfilment of the recognized guarantee request.
11. The use of the guarantee rights requires the total (cumulative) fulfilment of four conditions:
  - a) presenting a VAT invoice, receipt or other proof of purchase of the equipment to the Manufacturer, photographic documentation of the defective Equipment, together with a brief description of the reasons for submitting a guarantee claim,
  - b) reporting the defect within 14 (fourteen) days of its detection,
  - c) delivering the Equipment in original packaging at the expense of the Manufacturer, to the address indicated above in the guarantee card or to the address of the Authorized Service Centre,
  - d) designation of the place where the Manufacturer delivers the equipment after repairing it (limited to the country in which the Equipment was purchased).
12. The guarantee period is extended for the duration of the repair, starting from the date of delivery of the Equipment to the Manufacturer or to the Authorized Service Centre, to the date on which the Equipment was returned to the Buyer.
13. The responsibility of the Manufacturer or the Authorized Service Centre is to define the scope and the method of repairing the Equipment.
14. The guarantee is limited to the repair of the Equipment. The Manufacturer reserves the right to replace the Equipment with a non-defective one, if the repair exceeds the price of the Equipment indicated in the proof of purchase. Under the guarantee, the Buyer shall not be entitled to demand that the Equipment be replaced with a new one. The guarantee, in particular, does not cover liability for losses or damages incurred by the Buyer in connection with the fact that one is not able to use the Equipment.
15. The Manufacturer shall not be liable for any damage to the Equipment caused during the performance of the transport service by the delivery company until it is collected by the Manufacturer from the delivery company.
16. If the shipment of the Equipment was ordered by the Manufacturer, the Buyer is obliged to check the technical condition of the Equipment upon its receipt. If the Buyer finds that the Equipment has been damaged during the transport, the Buyer is obliged to:
  - a) immediately, not later than within 3 days from the date of receipt of the shipment, notify the Manufacturer of any damage to the Equipment that occurred during transport, in order to enable the Manufacturer to submit a complaint to the delivery company and pursue related claims,
  - b) provide the Producer with a complaint report drawn up between the Buyer and the delivery company.
17. The guarantee regulations contained in this document are the sole and exclusive guarantee rules for HABYS limited liability products.

Diese Anleitung enthält detaillierte Anweisungen zur Bedienung und Wartung der Ausrüstung. Vor der Benutzung lesen Sie bitte dieses Dokument sorgfältig durch und befolgen Sie die darin enthaltenen Empfehlungen. Bewahren Sie diese Anleitung für die Zukunft auf. Stellen Sie sicher, dass alle potenziellen Benutzer des Geräts den Inhalt dieser Anleitung vor der Verwendung des Geräts lesen.

## I. EINFÜHRUNG

DE

Der Luxoria PRO 5 Sessel ist eine ausgezeichnete Wahl für Schönheitssalons. Die Vielseitigkeit dieses Produkts macht es auch ideal für Massage-, Podologie- und Physiotherapiepraxen, luxuriöse Wellness- und Spa-Zentren und kreative Tattoo-Studios. Mit seiner robusten Konstruktion und seinem ästhetischen Design fügt sich der Luxoria PRO 5 Sessel perfekt in eine moderne Inneneinrichtung ein. Das ergonomische Design und die fortschrittlichen Einstellungsmöglichkeiten gewährleisten maximalen Komfort für Kunden und Fachleute gleichermaßen.

## II. MONTAGE

### **Auspacken des Sessels:**

- Öffnen Sie die Verpackung vorsichtig, damit der Inhalt nicht beschädigt wird.
- Entfernen Sie alle Verpackungsmaterialien wie Folie, Schaumstoff oder Klebeband.
- Vergewissern Sie sich, dass alle Sitzkomponenten gemäß der Inhaltsliste vorhanden sind.

### **Sessel auf Schäden überprüfen:**

- Führen Sie eine gründliche Sichtprüfung des Sessels durch und achten Sie dabei besonders auf Metall- und Kunststoffteile sowie die Polsterung.
- Wenn Sie Kratzer, Dellen, Risse oder andere Schäden feststellen, stecken Sie den Sessel nicht ein.

### **Kontaktieren Sie den Verkäufer im Falle eines Schadens:**

- Setzen Sie sich telefonisch oder per E-Mail mit dem Verkäufer in Verbindung und informieren Sie ihn über die von Ihnen festgestellten Schäden.
- Legen Sie Fotos des Schadens und der Verpackung bei, um das Problem zu identifizieren.
- Befolgen Sie die Anweisungen des Händlers zu den nächsten Schritten, z. B. zur Rückgabe des Sessels oder zum Austausch von Teilen.

### **Vollständigkeit des Zubehörs prüfen:**

- Vergewissern Sie sich, dass alle in der Anleitung aufgeführten Zubehörteile vorhanden sind.
- Sollten Sie bei der Lieferung Unstimmigkeiten mit Ihrer Bestellung feststellen, benachrichtigen Sie den Verkäufer unverzüglich.

### **Lagerung und Verwendung des elektrischen Sessels:**

- Der Sessel sollte unter normalen, trockenen Bedingungen in einem Raum gelagert und benutzt werden, in dem die Temperatur zwischen +10°C und +40°C und die relative Luftfeuchtigkeit zwischen 30% und 75% liegt.
- Wenn der Sessel bei Temperaturen unter 0°C gelagert wird, stellen Sie die empfohlene Raumtemperatur für mindestens 5 Stunden ein, bevor Sie ihn benutzen.

### **TIPPS!**

- Kinder und unerfahrene Personen sollten diesen elektrischen Kosmetikstuhl nicht benutzen.
- Bitte lesen Sie die Gebrauchsanweisung vor der Benutzung sorgfältig durch.
- Die Kinder müssen beaufsichtigt werden und sollten nicht in der Nähe des Sessels spielen, um Risiken zu vermeiden.
- Aus Sicherheitsgründen sollten der elektrische Kosmetikstuhl und seine Systeme ausgeschaltet werden, wenn er nicht benutzt wird und unbeaufsichtigt bleibt.
- Ziehen Sie nach dem Gebrauch den Netzstecker.

### III. ANSCHLUSS AN DAS STROMNETZ

Vor dem Einstecken des Steckers in die Steckdose sollten Sie sicherstellen, dass:

- die Steckdose ordnungsgemäß geerdet ist und den geltenden Vorschriften entspricht.
- die Steckdose der Belastung mit der maximalen Geräteleistung standhält,
- die Steckdose der Steckverbindung entspricht. Andernfalls ersetzen Sie die Steckdose.
- die Netzspannung den Angaben in der Tabelle mit den Technischen Daten entspricht.



- Nicht mit Verlängerungskabeln verwenden.
- Verwenden Sie ein ungeknicktes Kabel.
- Das Stromkabel darf nur von einem autorisierten Fachmann ausgetauscht werden.
- Es sollte keine eigenständigen Reparaturen an elektrischen Aktuatoren durchgeführt werden.
- Vermeiden Sie direktes Sonnenlicht, UV-Strahlung, Regen, übermäßigen Staub, Feuchtigkeit.

**ACHTUNG!** Der Hersteller übernimmt keinerlei Verantwortung, wenn die oben genannten Regeln nicht eingehalten werden.

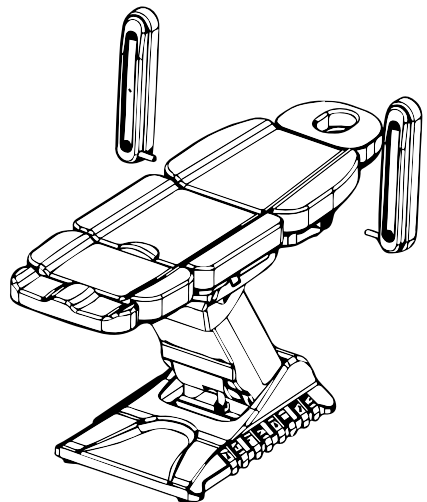
### IV. ANLEITUNG ZUM ANSCHLUSS UND ZUR BEDIENUNG DES ELEKTRISCHEN SESSELS LUXORIA PRO 5

Schließen Sie das Netzkabel an eine geeignete externe Stromquelle an, die zwischen 110 V und 240 V liegt.



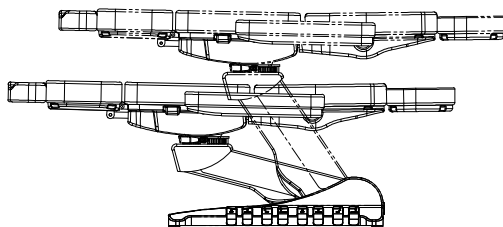
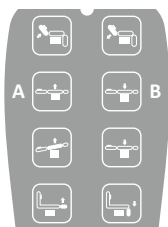
#### Einbau der Armlehne:

Der Sitz muss sich in einer horizontalen Position befinden, damit Armlehnen angebracht werden können. Schieben Sie die Armlehne in das Loch an der Seite der Rückenlehne. Die Armlehne sollte fest angebracht sein. Drehen Sie ihn so, dass er richtig sitzt. Machen Sie das Gleiche mit der anderen Armlehne. Die Armlehne kann um 180° gedreht werden.



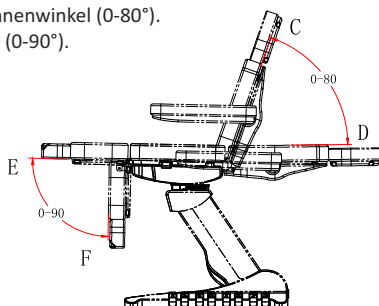
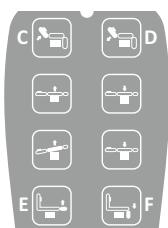
Der Kosmetiksessel Luxoria PRO 5 ist vollständig über eine elektrische Fernbedienung steuerbar.

A-B: Elektrisch verstellbare Sitzhöhe (66-94 cm).

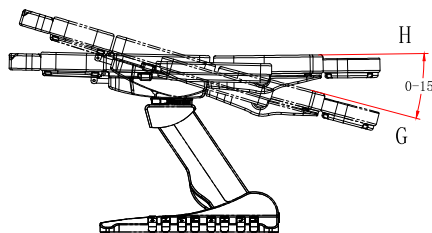
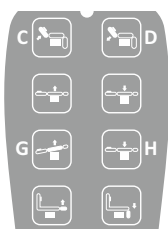


C-D: Elektrisch verstellbarer Rückenlehnenwinkel (0-80°).

E-F: Einstellung des Fußstützenwinkels (0-90°).

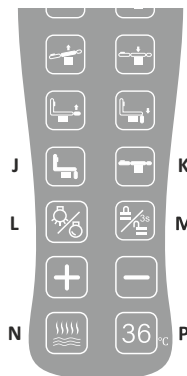


G-H: Neigungsverstellung des gesamten Sessels (0-15°).

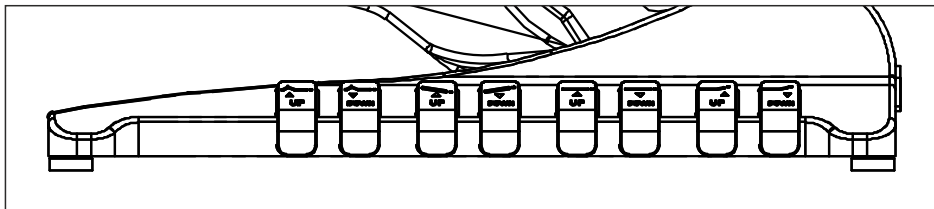


**Zusätzliche Einstellungen auf der Fernbedienung:**

- J:** Zurücksetzen der Einstellungen: Rückenlehne auf die höchste Stufe, Beine auf die niedrigste Stufe und den gesamten Sessel auf die niedrigste Stufe absenken.
- K:** Zurücksetzen der Einstellungen: Rückenlehne senkt sich auf die niedrigste Stufe und die Beine heben sich auf die höchste Stufe.
- L:** Ein- und Ausschalten der Hintergrundbeleuchtung.
- M:** Sperren. Zum Sperren die Taste eine Sekunde lang gedrückt halten, alle Funktionen und andere Tastenbetätigungen sind deaktiviert; zum Entsperren die Taste 3 Sekunden lang gedrückt halten.
- N:** Heizung ein/aus.
- P:** Anzeige der Rückenlehnen- und Sitztemperatur in Echtzeit. Wenn Sie die Heizung einschalten, können Sie mit den Tasten "+" und "-" die Temperatur einstellen.



## Steuerungsfunktion über in den Produktrahmen integrierte Tasten:

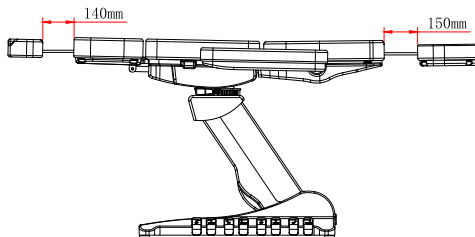


1. Elektrisch verstellbarer Fußrastenwinkel (0-90°).
2. Elektrisch verstellbarer Neigungswinkel des gesamten Sessels (0-15°).
3. Elektrisch verstellbare Sitzhöhe (66-94 cm).
4. Elektrisch verstellbarer Rückenlehnenwinkel (0-80°).

### Zusätzliche Sesseleinstellungen möglich.

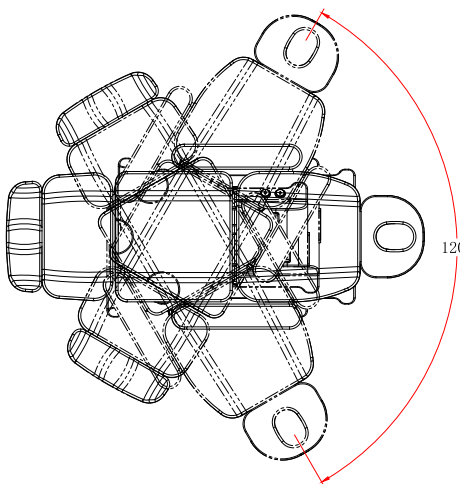
#### Funktion zur Verlängerung der Fußstütze/Kopfstütze:

Um das Produkt an Benutzer mit unterschiedlicher Körpergröße anzupassen, sind die Fußstütze und die Kopfstütze in der Länge verstellbar, so dass sie für optimalen Komfort und Halt verlängert werden können.



#### Funktion Sesseldrehung:

Um den Sitz von 0° auf 120° drehen zu können, lösen Sie einfach den Hebel unter dem Sitz. Das gibt dem Benutzer völlige Bewegungsfreiheit und einen unvergleichlichen Komfort und Bequemlichkeit.



## V. WARNUNGEN UND VORSICHTSMAßNAHMEN

- Verwenden Sie den Sessel gemäß der Bedienungsanleitung.
- Die Schäden, die aus der Nichtbeachtung der vorstehenden Hinweise resultieren, begründen keine Reklamation.
- Dieses Gerät ist nicht dafür bestimmt, von Personen mit eingeschränkten physischen oder geistigen Fähigkeiten oder mangelnder Erfahrung und mangelndem Wissen benutzt zu werden, es sei denn, sie benutzen es unter Aufsicht oder nach Anweisung einer für ihre Sicherheit zuständigen Person.

- Die Sessel sollen nur von Erwachsenen und gemäß den Anweisungen verwendet werden.
- Der Sessel ist für den Gebrauch in trockenen und geschlossenen Räumen und für Behandlungen von jeweils nur einer Person vorgesehen.
- Bewegen Sie den Sessel nicht mit dem Patienten.
- Es ist verboten, sich plötzlich auf den Sessel zu setzen (Springen).
- Das Sitzen, Knien und Anlehnen auf Kopfstützen, Ablagen und Armlehnen ist verboten.
- Vermeiden Sie einen längeren Kontakt der Sesselbezüge mit den Ölen. Zu diesem Zweck sollten ölbeständige Abdeckungen oder wasserdichte Folien verwendet werden.
- Der Stuhl sollte fern von direkten Feuer- und Hitzequellen verwendet und aufbewahrt werden.
- Setzen Sie den Sessel nicht längerem Sonnenlicht aus, um eine Verfärbung der Polsterung zu vermeiden.
- Nachdem Sie den Sessel aus dem Kühlraum geholt haben, warten Sie 15 Minuten, bevor Sie ihn einstecken.
- Es wird empfohlen, die Höhe des Sessels von minimal bis maximal einzustellen, um eine gleichmäßige Verteilung des Schmiermittels im Motor zu gewährleisten. Dieser Vorgang sollte 2-4 Mal pro Woche wiederholt werden, um eine ordnungsgemäße Wartung des Sessels zu gewährleisten und die Lebensdauer des Motors zu verlängern.
- Die Steckverbindung darf nicht durch Ziehen am Kabel aus der Steckdose entfernt werden.
- Zerlegen Sie das Gerät nicht und versuchen Sie nicht, in das Innere einzudringen.
- Beim Ein- und Aussteigen aus dem Stuhl ist besondere Vorsicht geboten. Es ist nicht erlaubt, sich auf die Sitzkanten zu setzen oder Teile wie die Fußstütze, Armlehnen oder die Kopfstütze zu belasten. Ein solches Verhalten kann die Stabilität des Stuhls beeinträchtigen und zu Stürzen des Benutzers sowie zu Schäden am Gerät führen.
- Der Hersteller übernimmt keine Haftung für Unfälle, Verletzungen oder Schäden, die durch unsachgemäße Verwendung des Stuhls entstehen, insbesondere bei Nichtbeachtung der in dieser Anleitung beschriebenen Sicherheitsvorschriften
- Der Sessel darf nur verwendet werden, wenn die oben genannten Empfehlungen eingehalten werden.

## VI. WARTUNG UND REINIGUNGSMAßNAHMEN

### **\*Ziehen Sie vor der Reinigung den Netzstecker\*.**

Um die Oberfläche des elektrischen Kosmetiksessels in einwandfreiem Zustand zu halten, muss sie regelmäßig gereinigt werden. Es ist wichtig, vor jedem neuen Benutzer eine Reinigung und Desinfektion durchzuführen, um Hygiene und Komfort zu gewährleisten. Darüber hinaus wird eine monatliche gründliche Desinfektion empfohlen, um den höchsten Standard an Sauberkeit und Sicherheit aufrechtzuerhalten.

### **Metall- und Kunststoffoberflächen**

Verwenden Sie ein weiches Tuch und ein sanftes Reinigungsmittel, um Metall- und Kunststoffoberflächen sowie Fernbedienungen in einem tadellosen Zustand zu halten. Verwenden Sie eine kleine Bürste, um schwer zugängliche Stellen wie Ecken und andere Winkel und Ritzen zu reinigen. Wischen Sie die Oberflächen beim Reinigen mit einem Tuch ab und vermeiden Sie dabei übermäßige Mengen an Flüssigkeit. Verwenden Sie dann ein Desinfektionsmittel gemäß den Anweisungen des Herstellers und lassen Sie die Oberflächen auf Raumtemperatur trocknen.

### **Oberfläche des Sessels**



Um die Oberfläche des Sessels in perfektem Zustand zu halten, wischen Sie ihn mit einem sauberen, weichen Tuch ab und tragen Sie anschließend gleichmäßig einen speziellen Polsterreiniger auf. Wischen Sie die Oberfläche nach dem Auftragen erneut mit einem sauberen, weichen Tuch ab, um eine gleichmäßige Reinigung zu gewährleisten. Die regelmäßige Reinigung wirkt sich positiv auf die Qualität und Lebensdauer der Oberfläche aus.

**Wartung:**

Die professionellen Nutzer sind für die Durchführung regelmäßiger monatlicher und halbjährlicher Wartungsmaßnahmen verantwortlich. Überprüfen Sie die Steuerungen und ihre Verkabelung wöchentlich und den Zustand und die Funktion der folgenden Teile mindestens einmal alle sechs Monate:

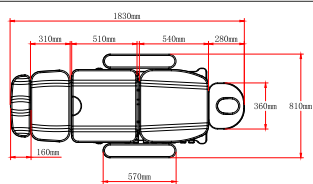
1. Netzkabel und dessen Befestigung.
2. Motorverkabelung.
3. Korrekte Befestigung des Zubehörs.
4. Nehmen Sie alle Einstellungen vor und vergewissern Sie sich, dass das Bett ordnungsgemäß funktioniert.

Wenn Sie Mängel feststellen, stellen Sie die Verwendung des Geräts sofort ein. Wenn das Gerät zum Beispiel ungewöhnliche Geräusche macht oder nicht richtig funktioniert, wenden Sie sich an den Kundendienst. Nur erfahrene oder autorisiertes Personal darf den Antrieb oder das Steuergerät öffnen oder austauschen.


Gemäß den Bestimmungen des Gesetzes über Elektro- und Elektronik-Altgeräte ist es verboten, Altgeräte, die mit dem Symbol der durchgestrichenen Mülltonne gekennzeichnet sind, zusammen mit anderem Hausmüll zu entsorgen. Gebrauchte Geräte müssen an einer geeigneten Sammelstelle abgegeben werden. Die genannten gesetzlichen Verpflichtungen wurden eingeführt, um die Menge an Elektro- und Elektronikaltgeräten zu verringern und ein angemessenes Niveau der Sammlung, Verwertung und des Recyclings von Altgeräten zu gewährleisten. Die ordnungsgemäße Umsetzung dieser Verpflichtungen ist besonders wichtig, wenn in den Altgeräten gefährliche Bestandteile enthalten sind, die besonders negative Auswirkungen auf die Umwelt und die menschliche Gesundheit haben.

**VII. PRODUKTDATEN**


	Abmessungen	Höhenverstellbereich	Gewicht	Maximale Belastung	Temperaturregler	Stromversorgung
Luxoria PRO 5		66 - 94 cm	66 kg	200 kg	Heizstufe zwischen 35°C und 60°C.	110V-240V

**VIII. LEGENDE ZU DEN PIKTOGRAMMEN**


---



Hinweis

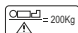


Vor Feuchtigkeit und Nässe während der Lagerung schützen




Die Gebrauchsanweisung lesen

---



Maximale Belastung



CE-Kennzeichnung

---

## IX. BENUTZUNG DES STUHL

DE

1. Für die Zwecke dieses Dokuments:
  - a) „Hersteller“: HABYS Spółka z ograniczoną odpowiedzialnością mit Sitz in Jasło, ul. Produkcyjna 16, 38-200 Jasło, eingetragen in das vom Amtsgericht in Rzeszów 12. Wirtschaftskammer des Nationalen Gerichtsregisters geführte Unternehmerregister mit einer zugewiesenen KRS-Nummer: 0000513317, mit einem Stammkapital von 10.750.000 PLN (in Worten: zehn Millionen siebenhundertfünfzigtausend Zloty), das Kapital ist vollständig eingezahlt, Ust-IdNr.: 6852208438, REGON: 180186290.
  - b) „Käufer“ bezeichnet den Endabnehmer der vom Hersteller hergestellten Geräte, einschließlich Verbraucher und Unternehmen.
  - c) „Vertreiber“ ist ein Unternehmen, das im Rahmen eines Vertrags mit dem Hersteller die Geräte in dem bezeichneten Gebiet verkauft.
  - d) Unter „autorisierter Servicestelle“ ist nur die vom Hersteller geführte Servicestelle oder die vom Hersteller angegebene Servicestelle zu verstehen, die von seinem Vertreter geführt wird,
  - e) „Gerät“ ist eine vom Hersteller hergestellte bewegliche Sache, die Gegenstand eines Kaufvertrags ist und für die die betreffende Garantie gilt.
2. **Der Hersteller garantiert die gute Qualität und den effizienten Betrieb der Geräte, für die diese Garantiekarte ausgestellt wurde, für folgenden Zeitraum: 2 Jahre für Konstruktionselemente, 2 Jahre für Polster Elemente und 2 Jahre für elektronisches und hydraulisches Zubehör.**
3. Die Garantiereparatur umfasst nicht die in der Betriebsanleitung vorgesehenen Tätigkeiten, die der Käufer selbst durchführen muss (Montage des Geräts, Wartung des Geräts usw.).
4. Die Haftung im Rahmen der Garantie erstreckt sich nur auf Mängel, die auf Ursachen zurückzuführen sind, die in der Ausstattung liegen. Die Garantie erstreckt sich insbesondere nicht auf Schäden, die durch unsachgemäßen oder nicht vorschriftsmäßigen Gebrauch, Lagerung, Wartung oder Transport des Geräts verursacht werden, sowie auf Farbunterschiede zwischen Teilen, die dem Sonnenlicht ausgesetzt sind und solchen, die es nicht sind, auf die Einwirkung von Chemikalien oder Scheuermitteln, auf Luftverschmutzung oder auf zufällige Einstiche und Abschürfungen, auf das Vorhandensein von Flecken oder Ringen, die durch fettige oder gefärbte Substanzen (Fette, Cremes, Lotionen oder Öle) verursacht werden, auf die dauerhafte Färbung mit Farbstoffen wie Tinten, Permanentmarkern oder anderen nicht dauerhaften Farbstoffen, die bei der Herstellung von Kleidung verwendet werden (z. B. Farbstoffe, die bei der Herstellung von Kleidung des Typs Blue Jeans verwendet werden).
5. Die Garantie deckt keine mechanischen Schäden am Gerät ab.
6. Der Käufer verliert die Rechte aus der Garantie in folgenden Fällen:
  - a) Der Hersteller feststellt, dass das Gerät während der Garantiezeit außerhalb der autorisierten Servicestelle repariert wurde,
  - b) Es wurden ohne vorherige schriftliche Zustimmung des Herstellers baulichen Veränderungen an der Ausrüstung vorgenommen,
  - c) Das Gerät wurde für andere als die vorgesehenen Zwecke gebraucht,
  - d) Das Gerät wurde gebraucht, nachdem ein Konstruktionsfehler daran festgestellt worden ist.
7. Unbeschadet des oben in Abschnitt 6 beschriebenen Verlusts der Garantierechte haftet der Hersteller auch nicht für Sachschäden oder Schäden, die Dritten durch die Verwendung der unter die Garantie fallenden Geräte entstehen.
8. Durch die Garantie werden die Rechte aus der Mängelhaftung weder ausgeschlossen noch beschränkt. Die Ausübung der Garantierechte berührt nicht die Haftung des Verkäufers aus der Garantie. Macht der Käufer von seinen Rechten aus der Garantie Gebrauch, so wird der Lauf der Frist für die Ausübung der Rechte aus der Gewährleistung ab dem Zeitpunkt der Mitteilung des Mangels an den Hersteller unterbrochen. Diese Frist läuft ab dem Zeitpunkt der Weigerung des Herstellers, die Verpflichtungen aus der Garantie zu erfüllen, oder ab dem Zeitpunkt, zu dem die Frist für deren Erfüllung unwirksam verstrichen ist.
9. Der Umfang des Garantieschutzes ist auf das Gebiet des Landes beschränkt, in dem das Gerät verkauft wurde.
10. Der Hersteller ist verpflichtet, seine Garantieverpflichtungen (Beseitigung von Mängeln oder Schäden an der Struktur des Geräts, die auf Ursachen zurückzuführen sind, die dem Gerät innewohnen und während der Garantiezeit auftreten) innerhalb von 14 Tagen ab dem Tag der Lieferung des Geräts an den Hersteller oder an die autorisierte Servicestelle kostenlos zu erfüllen. Kann die Reparatur des Geräts nicht innerhalb der oben genannten Frist durchgeführt werden, so teilt der Hersteller dies dem Käufer unter Angabe der Gründe für die Verzögerung und des voraussichtlichen Datums der Erfüllung des anerkannten Garantieanspruchs mit.
11. Die Ausübung der Garantierechte setzt die gemeinsame (kumulative) Erfüllung von vier Bedingungen voraus:
  - a) eine MwSt.-Rechnung, eine Quittung oder einen anderen Nachweis über den Kauf des Geräts durch den Käufer sowie eine fotografische Dokumentation des defekten Geräts zusammen mit einer kurzen Beschreibung der Gründe für die Geltendmachung des Garantieanspruchs vorlegen,
  - b) den Mangel innerhalb von 14 (vierzehn) Tagen nach seiner Entdeckung melden,
  - c) das Gerät in seiner Originalverpackung auf Kosten des Herstellers an seine oben in der Garantiekarte angegebene Adresse oder an die Adresse der autorisierten Servicestelle liefern,
  - d) den Ort angeben, an den das Gerät nach der Reparatur vom Hersteller geliefert wird (beschränkt auf das Land, in dem das Gerät gekauft wurde).
12. Die Garantiefrist verlängert sich um die Dauer der Reparatur, gerechnet ab dem Tag der Übergabe des Geräts an den Hersteller oder die autorisierte Kundendienststelle bis zu dem Tag, an dem das Gerät an den Käufer zurückgegeben wird.
13. Es liegt in der Verantwortung des Herstellers oder des autorisierten Dienstleisters, den Umfang und die Art der Reparatur des Geräts zu bestimmen.
14. Die Garantie ist auf die Reparatur des Geräts beschränkt. Der Hersteller behält sich das Recht vor, das Gerät durch ein mängelfreies Gerät zu ersetzen, wenn die Reparatur den im Kaufbeleg angegebenen Preis des Gerätes übersteigt. Der Käufer ist nicht berechtigt, im Rahmen der Garantie den Ersatz der Ausrüstung zu verlangen. Die Garantie erstreckt sich insbesondere nicht auf die Haftung für Verluste oder Schäden, die dem Käufer dadurch entstehen, dass er an der Nutzung des Geräts gehindert wird.
15. Der Hersteller haftet nicht für Schäden am Gerät, die während des Transports durch den Transportunternehmer entstanden sind, bis der Hersteller das Gerät von dem Transportunternehmer erhalten hat.
16. Wurde die Lieferung des Geräts vom Hersteller in Auftrag gegeben, so obliegt es dem Käufer, den technischen Zustand des Geräts bei Erhalt zu überprüfen. Stellt der Käufer fest, dass die Sendung oder das darin enthaltene Gerät beschädigt sind, so ist der Käufer verpflichtet:
  - a) dem Hersteller unverzüglich, spätestens innerhalb von 3 Tagen nach Erhalt der Sendung, alle während des Transports aufgetretenen Schäden am Gerät mitzuteilen, damit der Hersteller eine Reklamation beim Transportunternehmer einreichen und entsprechende Ansprüche geltend machen kann,
  - b) dem Hersteller ein Reklamationsprotokoll zur Verfügung zu stellen, das zwischen dem Käufer und dem Transportunternehmen erstellt wurde.
17. Die in diesem Dokument enthaltenen Garantiebestimmungen sind die einzigen und ausschließlichen Garantiebestimmungen für die Produkte von HABYS Spółki z ograniczoną odpowiedzialnością.

Niniejsza instrukcja zawiera szczegółowe wytyczne dotyczące obsługi oraz konserwacji sprzętu. Przed przystąpieniem do użytkowania, dokładnie zapoznaj się z tym dokumentem i postępuj zgodnie z zawartymi w nim zaleceniami. Zachowaj tę instrukcję na przyszłość. Upewnij się, że wszyscy potencjalni użytkownicy sprzętu zapoznają się z treścią niniejszej instrukcji przed rozpoczęciem korzystania z urządzenia.

## I. WSTĘP

Fotel Luxoria PRO 5, stanowi doskonały wybór dla salonów kosmetycznych. Wszechstronność tego produktu sprawia, że świetnie sprawdzi się również w gabinetach masażu, podologicznych, fizjoterapeutycznych, w luksusowych ośrodkach Wellness & SPA a także w kreatywnych pracowniach tatuażu. Solidna budowa i estetyczny design sprawiają, że fotel Luxoria PRO 5 doskonale komponuje się z nowoczesnym wyposażeniem wnętrz. Ergonomiczna konstrukcja i zaawansowane funkcje regulacji zapewniają maksymalny komfort zarówno dla klientów, jak i specjalistów.

## II. INSTALACJA

### **Rozpakowanie fotela:**

- Ostrożnie otwórz opakowanie, aby nie uszkodzić zawartości.
- Usuń wszystkie materiały opakowaniowe, takie jak folie, pianki czy taśmy.
- Upewnij się, że wszystkie elementy fotela są obecne zgodnie z listą zawartości.

### **Sprawdzenie fotela pod kątem uszkodzeń:**

- Przeprowadź dokładną inspekcję wizualną fotela, zwracając szczególną uwagę na elementy metalowe, plastikowe oraz tapicerkę.
- Jeśli zauważył jakiegokolwiek zarysowania, wgniecenia, pęknięcia lub inne uszkodzenia, nie podłączaj fotela do prądu.

### **Kontakt ze sprzedawcą w przypadku uszkodzeń:**

- Skontaktuj się ze sprzedawcą telefonicznie lub mailowo, informując o zauważonych uszkodzeniach.
- Załącz zdjęcia uszkodzeń oraz opakowania, aby ułatwić identyfikację problemu.
- Postępuj zgodnie z instrukcjami sprzedawcy dotyczącymi dalszych kroków, takich jak zwrot fotela czy wymiana części.

### **Sprawdzenie kompletności akcesoriów:**

- Upewnij się, że wszystkie akcesoria wymienione w instrukcji są obecne.
- Jeżeli podczas dostawy stwierdzisz niezgodności z zamówieniem, natychmiast powiadom sprzedawcę.

### **Przechowywanie i użytkowanie fotela ze sterowaniem elektrycznym:**

- Fotel powinien być przechowywany i użytkowany w normalnych suchych warunkach, w zamkniętych pomieszczeniach, gdzie temperatura jest kontrolowana w zakresie od +10°C do +40°C, a wilgotność względna wynosi od 30% do 75%.
- Jeżeli fotel będzie przechowywany w temperaturze poniżej 0°C, przed jego użyciem ustaw zalecaną temperaturę w pomieszczeniu na co najmniej 5 godzin przed podłączeniem do sieci elektrycznej.

### **WSKAZÓWKI!**

- Dzieci oraz osoby niedoświadczone nie powinny korzystać z tego elektrycznego fotela kosmetycznego.
- Przed użyciem należy dokładnie zapoznać się z instrukcją obsługi.
- Dzieci muszą być nadzorowane i nie powinny bawić się w pobliżu fotela, aby uniknąć ryzyka.
- Dla bezpieczeństwa, elektryczny fotel kosmetyczny oraz jego systemy powinny być wyłączone, gdy nie są używane i pozostawione bez nadzoru.
- Po zakończeniu użytkowania, należy odłączyć przewód zasilający.

### III. PODŁĄCZENIE DO SIECI ELEKTRYCZNEJ

Przed włożeniem wtyczki do gniazdka zasilania elektrycznego należy upewnić się, czy:

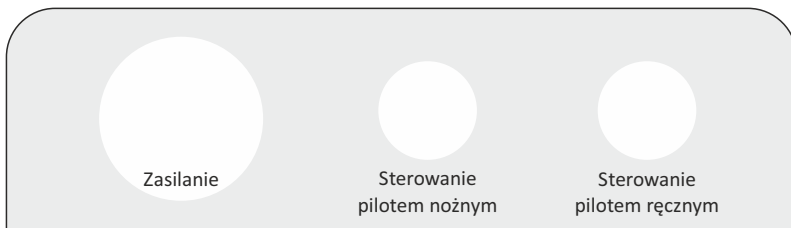
- Gniazdko ma odpowiednie uziemienie i czy odpowiada obowiązującym przepisom.
- Gniazdko jest w stanie wytrzymać obciążenie maksymalnej mocy urządzenia.
- Gniazdko odpowiada wtyczce. W przeciwnym razie należy wymienić gniazdko.
- Napięcie prądu elektrycznego w sieci zgodne jest z danymi podanymi w tabeli Danych Technicznych.

- !
- Nie używać przedłużaczy.
  - Używać nie zginanego kabla.
  - Kabel zasilania elektrycznego może być wymieniony wyłącznie przez upoważnionego specjalistę.
  - Nie należy samodzielnie dokonywać żadnych napraw siłowników elektrycznych.
  - Unikać bezpośredniego nasłonecznienia, promieniowania UV, deszczu, nadmiernego zakurzenia, wilgoci.

**UWAGA!** Producent uchyla się od wszelkiej odpowiedzialności, jeśli nie przestrzega się powyższych zasad.

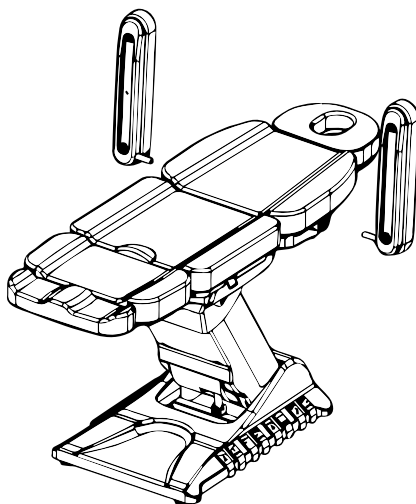
### IV. INSTRUKCJA PODŁĄCZENIA I OBSŁUGI FOTEŁA ELEKTRYCZNEGO LUXORIA PRO 5

Podłącz przewód zasilający do odpowiedniego zewnętrznego źródła zasilania, mieszczącego się w zakresie od 110 V do 240 V.



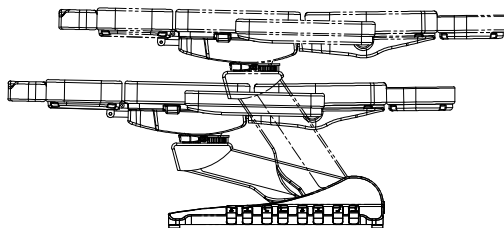
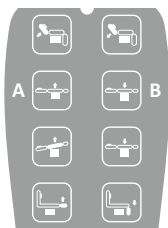
#### Instalacja podłokietników:

Fotel musi znajdować się w pozycji poziomej, aby zamontować do niego podłokietniki. Wsuń podłokietnik w otwór znajdujący się z boku oparcia. Podłokietnik powinien być stabilnie przymocowany. Przekręć go tak, aby odpowiednio wszedł na miejsce. Zrób to samo z drugim podłokietnikiem. Podłokietnik można obrócić o 180°.



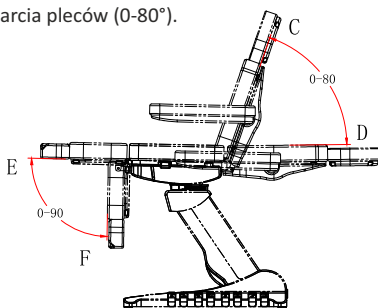
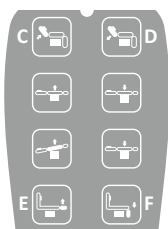
Fotel kosmetyczny Luxoria PRO 5 jest w pełni sterowany za pomocą pilota elektrycznego.

A-B: Elektrycznie regulowana wysokość siedziska (66-94 cm).

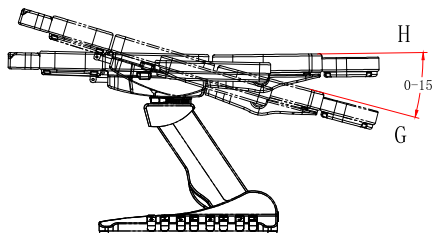
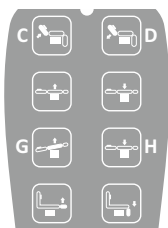


C-D: Elektrycznie regulowany kąt podparcia pleców (0-80°).

E-F: Regulacja kąta podnóżka (0-90°).

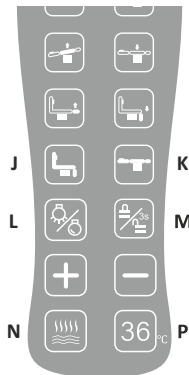


G-H: Regulacja kąta nachylenia całego fotela (0-15°).

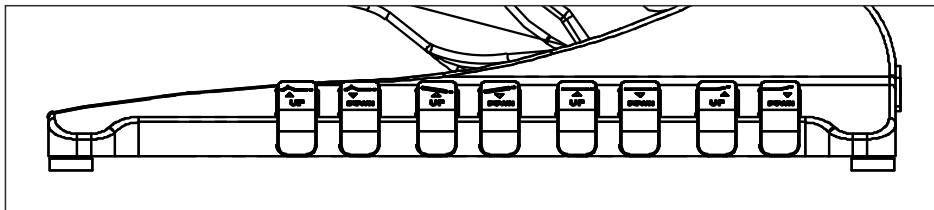


**Dodatkowe ustawienia na pilocie:**

- J:** Reset ustawień: oparcie podnosi się najwyższego poziomu, nogi opuszczane do najniższego poziomu oraz całość fotela do najniższego poziomu.
- K:** Reset ustawień: oparcie opuszcza się do najniższego poziomu i nogi podnoszą się do najwyższego poziomu.
- L:** Włączanie / wyłączenie podświetlenia.
- M:** Blokada, przytrzymać przycisk przez jedną sekundę aby zablokować, wszystkie funkcje, inne operacje klawiszowe są nieaktywne; przytrzymaj przez 3 sekundy, aby odblokować.
- N:** Włączenie / wyłączenie ogrzewania.
- P:** Wyświetlacz temperatury oparcia i siedzenia w czasie rzeczywistym. Kiedy włączysz ogrzewanie, przyciski "+" i "-" służą do regulacji temperatury.



## Funkcja sterowania za pomocą przycisków wbudowanych w ramę produktu:



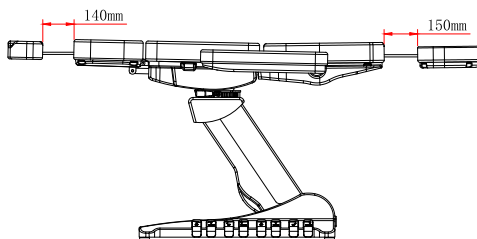
PL

1. Elektrycznie regulowany kąt regulacji podnóżka (0-90°).
2. Elektrycznie regulowana kąt nachylenia całego fotela (0-15°).
3. Elektrycznie regulowana wysokość siedziska (66-94 cm).
4. Elektrycznie regulowany kąt podparcia pleców (0-80).

### Możliwe dodatkowe ustawienia fotela.

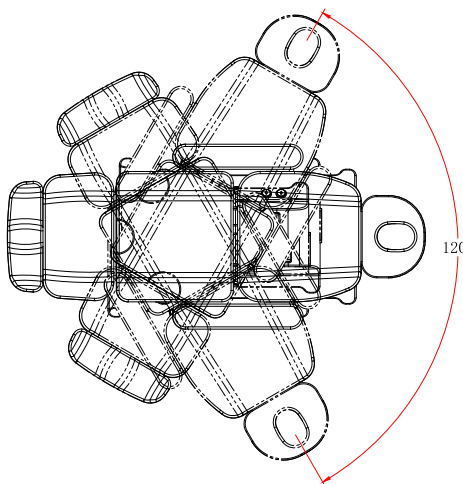
#### Funkcja wydłużania podnóżka/zagłówka:

Aby dostosować produkt do użytkowników o różnym wzroście, podnózek oraz zagłówek został zaprojektowany z możliwością regulacji długości, co pozwala na jego wydłużenie zapewniając tym samym optymalny komfort i wsparcie.



#### Funkcja rotacji fotela:

Aby umożliwić obracanie fotelem w zakresie od 0° do 120°, wystarczy zwolnić dźwignię znajdującą się pod siedziskiem. Dzięki temu użytkownik zyskuje pełną swobodę ruchu oraz niezrównany komfort i wygodę użytkowania.



## V. OSTRZEŻENIA I ŚRODKI OSTROŻNOŚCI

- Używaj fotela zgodnie z instrukcją obsługi.
- Uszkodzenia powstałe wskutek niestosowania się do powyższych uwag nie stanowią podstawy do reklamacji.
- Urządzenie nie jest przeznaczone dla osób o ograniczonej sprawności fizycznej lub umysłowej ani dla osób nieposiadających odpowiedniego doświadczenia i wiedzy, chyba że używają go pod nadzorem lub po otrzymaniu wskazówek od osoby odpowiedzialnej za ich bezpieczeństwo.

- Fotele powinny używać wyłącznie osoby dorosłe i w sposób zgodny z instrukcją.
- Fotel przeznaczony jest do użytku wewnątrz pomieszczeń suchych i zamkniętych oraz do zabiegów wykonywanych wyłącznie dla jednej osoby jednocześnie.
- Nie należy przenosić fotela wraz z pacjentem.
- Zabrania się gwałtownego siadania na fotel (wskakiwania).
- Zabrania się siadania, klękania i opierania na podglówku, półkach i podłokietnikach.
- Należy unikać długotrwałego kontaktu tapicerki fotela z olejkami. W tym celu należy stosować okrycie olejoodporne lub nieprzemakalne prześcieradła.
- Fotel powinien być użytkowany i przechowywany z dala od bezpośrednich źródeł ognia i ciepła.
- Nie należy narażać fotela na długotrwałe działanie promieni słonecznych, aby uniknąć odbarwienia tapicerki.
- Po przyniesieniu fotela z zimnego pomieszczenia, odczekaj 15 minut przed podłączeniem go do sieci elektrycznej.
- Zaleca się pełną regulację wysokości fotela w zakresie od minimalnej do maksymalnej, aby zapewnić równomierne rozprowadzenie smaru wewnątrz silnika. Czynność należy powtórzyć 2-4 razy w tygodniu, aby zapewnić prawidłową konserwację fotela oraz wydłużyć żywotność silnika.
- Nie należy wyjmować wtyczki z gniazdka, ciągnąc za kabel.
- Nie należy demontować urządzenia ani próbować dostać się do jego wnętrza.
- Podczas wsiadania i schodzenia z fotela należy zachować szczególną ostrożność. Nie wolno siadać na skrajach siedziska ani obciążać elementów takich jak podnóżek, podłokietniki czy podglówek. Takie zachowanie może prowadzić do utraty stabilności fotela, co grozi upadkiem użytkownika oraz uszkodzeniem urządzenia.
- Producent nie ponosi odpowiedzialności za wypadki, urazy lub szkody wynikające z nieprawidłowego użytkowania fotela, w szczególności z naruszenia zasad bezpieczeństwa opisanych w niniejszej instrukcji.
- Fotela może być używany wyłącznie przy spełnieniu powyższych zaleceń

## VI. KONSERWACJA I ŚRODKI UTRZYMANIA

### **\*Odłącz przewód zasilający przed czyszczeniem\***

Aby zachować powierzchnię elektrycznego fotela kosmetycznego w nienagannym stanie, należy je regularnie czyścić. Ważne jest, aby przeprowadzać czyszczenie i dezynfekcję przed każdym nowym użytkownikiem, co zapewni higienę i komfort. Ponadto, co miesiąc zaleca się przeprowadzenie dokładnej dezynfekcji, aby utrzymać najwyższe standardy czystości i bezpieczeństwa.

#### **Powierzchnie metalowe i plastikowe**

Aby utrzymać metalowe i plastikowe powierzchnie oraz piloty w nienagannym stanie, użyj miękkiej szmatki i delikatnego, środka czyszczącego. Do czyszczenia trudno dostępnych miejsc, takich jak rogi i inne zakamarki, zastosuj małą szczoteczkę. Podczas czyszczenia wycieraj powierzchnie szmatką, unikając nadmiernej ilości płynu. Następnie użyj środka dezynfekującego, postępując zgodnie z instrukcjami producenta, a następnie pozwól powierzchniom wyschnąć do sucha w temperaturze pokojowej.

#### **Powierzchnia fotela**


Aby zachować powierzchnię fotela w doskonałym stanie, przetrzyj ją czystą, miękką szmatką, a następnie równomiernie nałóż specjalny środek do czyszczenia tapicerki. Po jego aplikacji, ponownie przetrzyj powierzchnię czystą, miękką szmatką, aby zapewnić równomierne wyczyszczenie. Regularne czyszczenie wpływa pozytywnie na jakość i żywotność powierzchni.

### Konserwacja:

Profesjonalni użytkownicy są odpowiedzialni za regularne wdrażanie procedur konserwacyjnych, zarówno miesięcznych, jak i półrocznych. Co tydzień należy kontrolować elementy sterujące i ich okablowanie, sprawdzając stan i funkcjonowanie następujących części co najmniej raz na sześć miesięcy:

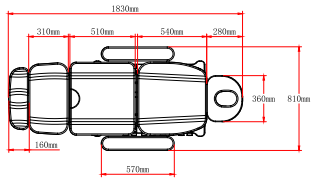
1. Przewód zasilający oraz jego mocowanie.
2. Okablowanie silnika.
3. Prawidłowe zamocowanie akcesoriów.
4. Zakończyć wszystkie regulacje i upewnij się, że łożko działa prawidłowo.

W przypadku stwierdzenia jakichkolwiek wad, natychmiast przerwij użytkowanie sprzętu. Na przykład, jeśli urządzenie wydaje nietypowe dźwięki lub nie działa poprawnie, skontaktuj się z serwisem posprzedażnym. Tylko doświadczony lub autoryzowany personel może otworzyć lub wymienić siłownik lub jednostkę sterującą.



Zgodnie z przepisami ustawy o użytym sprzęcie elektrycznym i elektronicznym, zabronione jest wyrzucanie zużytego sprzętu oznakowanego symbolem przekreślonego kosza wraz z innymi odpadami gospodarczymi. Zużyty sprzęt należy oddać do właściwego punktu zbiórki. Powyższe obowiązki ustawowe wprowadzone zostały w celu ograniczenia ilości odpadów powstałych ze zużytego sprzętu elektrycznego i elektronicznego oraz zapewnienia odpowiedniego poziomu zbierania, odzysku i recyklingu zużytego sprzętu. Prawidłowa realizacja tych obowiązków ma znaczenie zwłaszcza w przypadku, gdy w użytym sprzęcie znajdują się składniki niebezpieczne, które mają szczególnie negatywny wpływ na środowisko i zdrowie ludzi.

## VII. DANE TECHNICZNE

	Wymiary	Zakres regulacji wysokości	Waga	Maksymalne obciążenie	Regulacja temperatury	Zasilanie elektryczne
Luxoria PRO 5		66 - 94 cm	66 kg	200 kg	Poziom ciepła w zakresie od 35°C do 60°C.	110V-240V

## VIII. LEGENDA DO PIKTOGRAMÓW



Uwaga



W czasie przechowywania chronić przed wilgocią i przemoczeniem



Zapoznaj się z instrukcją użycia



Maksymalne obciążenie = 200kg



Znak CE

## IX. WARUNKI GWARANCJI

1. Dla potrzeb niniejszego dokumentu:
  - a) „Producent” oznacza HABYS Spółką z ograniczoną odpowiedzialnością z siedzibą w Jasle, ul. Produkcyjna 16, 38-200 Jasło, wpisaną do rejestru przedsiębiorców prowadzonego przez Sąd Rejonowy w Rzeszowie XII Wydział Gospodarczy Krajowego Rejestru Sądowego, z przypisanym numerem KRS: 0000513317, z kapitałem zakładowym w wysokości 10.750.000 złotych (słownie: dziesięć milionów siedemset pięćdziesiąt tysięcy złotych), kapitał został opłaconym w całości, NIP: 6852208438, REGON: 180186290.
  - b) „Nabywca” oznacza ostatecznego Nabywcę sprzętu wytworzonego przez Producenta, w tym zarówno konsumenta jak i przedsiębiorcę.
  - c) „Dystrybutor” oznacza podmiot, który na podstawie umowy z Producentem dokonuje sprzedaży Sprzętu na oznaczonym terenie.
  - d) „Autoryzowany Serwis” oznacza wyłącznie serwis prowadzony przez Producenta lub wskazany przez Producenta serwis prowadzony przez jego Dystrybutora,
  - e) „Sprzęt” oznacza rzecz ruchomą, wytworzoną przez Producenta, będącą przedmiotem umowy sprzedaży, a której dotyczy przedmiotowa gwarancja.
2. **Producent zapewnia dobrą jakość i sprawne działanie sprzętu, na który wydana została przedmiotowa karta gwarancyjna, w okresie: 2 lat dla elementów konstrukcyjnych, 2 lata dla elementów tapicerowanych oraz akcesoria elektroniczne i hydrauliczne 2 lata.**
3. Naprawa gwarancyjna nie obejmuje czynności przewidzianych w instrukcji obsługi, do wykonania których Nabywca jest zobowiązany we własnym zakresie (montaż Sprzętu, konserwacja Sprzętu, itp.).
4. Odpowiedzialność z tytułu gwarancji obejmuje tylko wady powstałe z przyczyn tkwiących w Sprzęcie. Gwarancja w szczególności nie obejmuje uszkodzeń powstałych w wyniku niewłaściwego lub niezgodnego z instrukcją użytkowania, przechowywania, konserwacji lub transportu Sprzętu, a także różnic kolorystycznych między częściami narażonymi i nienarażonymi na działanie promieniowania słonecznego, wpływu środków chemicznych lub ściernych, zanieszczeń atmosferycznych lub przypadkowych przekłuć i przetarć, obecności piłam lub pierścieni po tłustych lub barwiących substancjach (tłuszczach, kremach, balsamach lub olejach), trwałego zabarwienia środkami barwiącymi takimi jak tusze, permanentne markery czy inne nietrwałe barwniki stosowane w produkcji odzieży (np. barwników używanych do wytworzenia odzieży typu niebieski jeans).
5. Gwarancja nie obejmuje uszkodzeń mechanicznych Sprzętu.
6. Nabywca traci uprawnienia wynikające z gwarancji w przypadku:
  - a) stwierdzenia przez Producenta, że w okresie gwarancyjnym Sprzęt był naprawiany poza Autoryzowanym Serwisem,
  - b) dokonania w Sprzęcie jakichkolwiek modyfikacji konstrukcyjnych bez uprzedniej, pisemnej zgody Producenta,
  - c) używania Sprzętu niezgodnie z jego przeznaczeniem,
  - d) używania Sprzętu po ujawnieniu się w nim wady konstrukcyjnej.
7. Niezależnie od utraty uprawnień gwarancyjnych, opisanych powyżej, w punkcie 6, Producent nie ponosi również odpowiedzialności za żadne szkody w mieniu lub wyrządzone osobom trzecim, jakie może spowodować używanie Sprzętu objętego gwarancją.
8. Gwarancja nie wyłącza, ani też nie ogranicza uprawnień wynikających z tytułu rękojmi za wady. Wykonanie uprawnień z gwarancji nie wpływa na odpowiedzialność sprzedawcy z tytułu rękojmi. W razie wykonywania przez Nabywcę uprawnień z gwarancji, bieg terminu do wykonania uprawnień z tytułu rękojmi ulega zawieszeniu z dniem zawiadomienia Producenta o wadzie. Termin ten biegnie dalej od dnia odmowy przez Producenta wykonania obowiązków wynikających z gwarancji albo bezskutecznego upływu czasu na ich wykonanie.
9. Zasięg ochrony gwarancyjnej, ograniczony jest do terytorium państwa, w którym nastąpiła sprzedaż Sprzętu.
10. Producent wykona swoje obowiązki wynikające z gwarancji (usuniecia wad lub uszkodzeń konstrukcji Sprzętu powstałych z przyczyn tkwiących w Sprzęcie, a ujawnionych w okresie gwarancji) bezpłatnie w terminie 14 dni od daty dostarczenia Sprzętu do Producenta lub Autoryzowanego Serwisu. Jeżeli naprawa Sprzętu nie może być wykonana we wskazanym powyżej terminie, Producent poinformuje Nabywcę o powyższym, a także wskaże przyczyny opóźnienia i przewidywany termin realizacji uznanego żądania gwarancyjnego.
11. Skorzystanie z uprawnień gwarancyjnych wymaga łącznego (kumulatywnego) spełnienia czterech warunków:
  - a) przedstawienia faktury VAT, paragonu lub innego dowodu zakupu sprzętu przez Nabywcę, a nadto dokumentacji fotograficznej wadliwego Sprzętu wraz z krótkim opisem powodów zgłoszenia roszczenia gwarancyjnego,
  - b) zgłoszenia wady w terminie 14 (czternastu) dni od jej wykrycia,
  - c) dostarczenia sprzętu w oryginalnym opakowaniu na koszt Producenta, na jego adres wskazany powyżej w karcie gwarancyjnej lub na adres Autoryzowanego Serwisu,
  - d) oznaczenia miejsca dostarczenia przez Producenta sprzętu po dokonaniu jego naprawy (z ograniczeniem do państwa, w którym dokonany był zakup Sprzętu).
12. Okres gwarancji ulega przedłużeniu o czas trwania naprawy, liczony od dnia dostarczenia Sprzętu do Producenta lub Autoryzowanego Serwisu, do dnia w którym Sprzęt został zwrócony Nabywcy.
13. Do obowiązków Producenta lub Autoryzowanego Serwisu należy określenie zakresu i sposobu naprawy Sprzętu.
14. Gwarancja ograniczona jest do naprawy Sprzętu. Producent zastrzega sobie prawo wymiany Sprzętu na wolny od wad, w przypadku gdyby naprawa przekraczała cenę Sprzętu wskazaną w dowodzie jego zakupu. Nabywcy, w ramach gwarancji, nie przysługuje żądanie wymiany Sprzętu na nowy. Gwarancja w szczególności nie obejmuje odpowiedzialności za straty lub szkody powstałe u Nabywcy w związku z pozbawieniem go możliwości korzystania ze Sprzętu.
15. Producent nie bierze odpowiedzialności za uszkodzenia Sprzętu powstałe w trakcie wykonywania usługi transportowej przez przedsiębiorcę przewoźnego do chwili jego odbioru przez Producenta od przedsiębiorcy przewoźnego.
16. Jeżeli przesyłka Sprzętu była zlecona przez Producenta, obowiązkiem Nabywcy jest sprawdzenie stanu technicznego Sprzętu przy jego odbiorze. Jeżeli Nabywca stwierdzi, że przesyłka lub znajdujący się w niej Sprzęt uległ uszkodzeniu, Nabywca powinien:
  - a) niezwłocznie, nie później niż w ciągu 3 dni od daty odbioru przesyłki, zawiadomić Producenta o wszelkich uszkodzeniach Sprzętu, które powstały w trakcie transportu, w celu umożliwienia Producentowi zgłoszenia reklamacji przedsiębiorcy transportowemu i dochodzenia związanych z tym roszczeń,
  - b) dostarczyć Producentowi protokół reklamacyjny spisany pomiędzy Nabywcą i przedsiębiorcą transportowym.
17. Regulacje dotyczące gwarancji zawarte w niniejszym dokumencie są jedynymi i wyłącznymi zasadami gwarancji na produkty HABYS Spółki z ograniczoną odpowiedzialnością.





Other language versions available here:  
Andere Sprachversionen verfügbar unter:  
Inne wersje językowe dostępne pod adresem:



[www.habys.com/warrantymanuals](http://www.habys.com/warrantymanuals)

**Producent / Producer / Hersteller**  
HABYS Sp. z o.o.  
ul. Produkcyjna 16, 38-200 Jasło, PL  
[www.habys.com](http://www.habys.com)