



As part of continuous improvement, HABYS reserves the right to make at any time the changes regarding colours, design, dimensions and functions of products.

The offer presented in the catalogue is not the offer in the meaning of the Civil Code. The catalogue is published solely for information purposes.



Habys Sp. z o.o.

tel. +48 13 44 58 460

e-mail: office@habys.com

www.habys.com



Electric treatment tables



We cordially invite you to familiarize with our latest offer of massage tables, massage chairs and couches.

Presented products are the result of 21 years of experience and know - how of HABYS engineers and designers and close collaboration with leading authorities and enthusiasts in the field of massage.

HABYS products are designed and manufactured with the highest care about safety, durability, reliability, comfort and attractive style.

Our products are made of only the highest quality, selected and certificated raw materials and with original technical solutions.

With regards

A handwritten signature in blue ink, appearing to read "Emil Kamaš", written in a cursive style.

CEO

over **100 000** tables sold worldwide

25 years of experience on global market

we work with customers from **70** countries



Description:

Upright Chiro Z7 is an electric treatment table dedicated to physiotherapy, manual techniques, osteopathy and chiropractic elements.

The multifunctional 7-segment tabletop is equipped with an advanced adjustment system that allows the use of „drop” technique, movement function and positioning of the patient’s body in various planes. Electric height adjustment by means of walking-free foot control and a stable steel frame with a chassis is the perfect complement to the therapist’s work. The table has an innovative integrated foam.

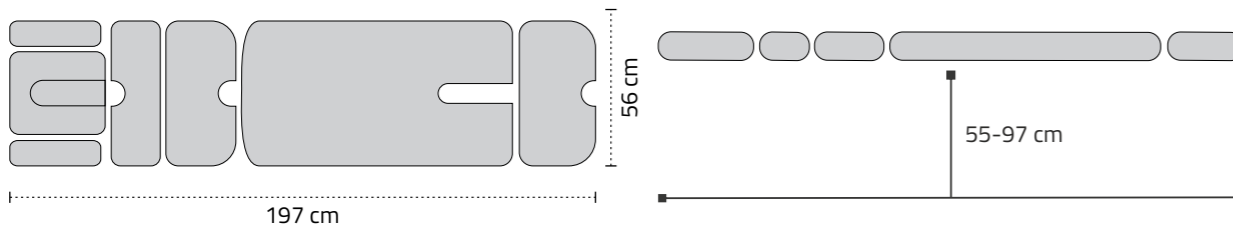
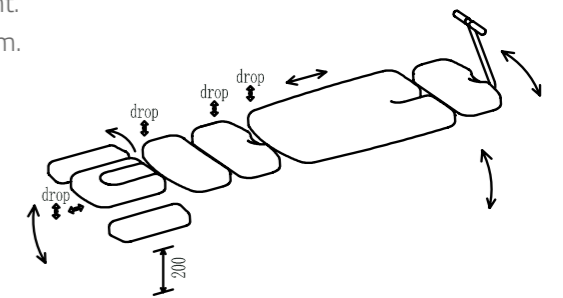
Traction system for the cervical and lumbar spine in a total range of 13 cm.

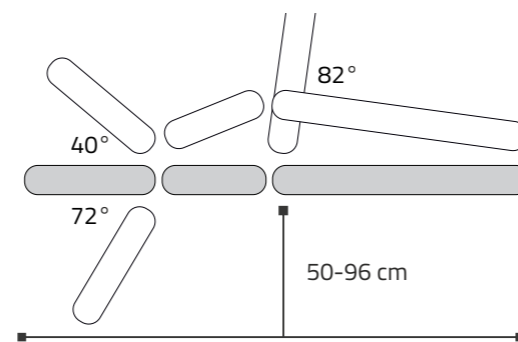
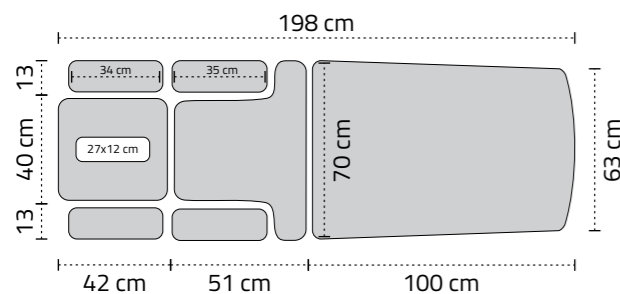
Drop system that allows you to perform the drop technique on the lumbar, thoracic and cervical spine.

Upright Chiro Z7 table is distinguished by:

- Integra foam with increased resistance to damage.
- Multifunctional 7-segment table top.
- Robust table structure with a permissible load of up to 200 kg.
- Ergonomic „drop” levers, with a unique adjustment system, allowing the patient to be lifted without the need to use the therapist’s strength.
- Adjustment of the pelvic and lower limbs segments.
- Headrest with face hole, adjustable in many planes and inclination angles.
- Adjustable armrests.
- Adjustable footrest with handle.
- Walking-free stainless steel foot control for height adjustment.
- Chassis equipped with 4 swivel castors with a blocking system.
- Safety switch.
- Stabilization belts.

WATCH VIDEO ON 





Description:

Evero X7 Integra is the most advanced electric treatment table equipped with the integrated foot control frame and a driving system. It has a 7-segment table top, made with the use of innovative Integra foam. Dedicated to massages, physiotherapy, rehabilitation.

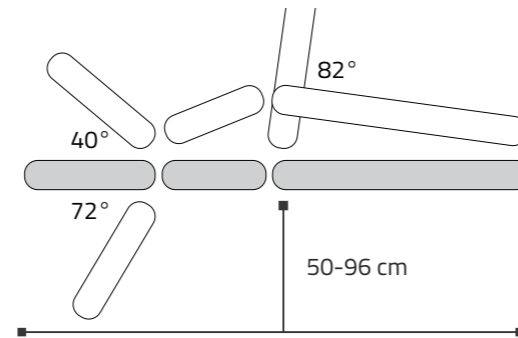
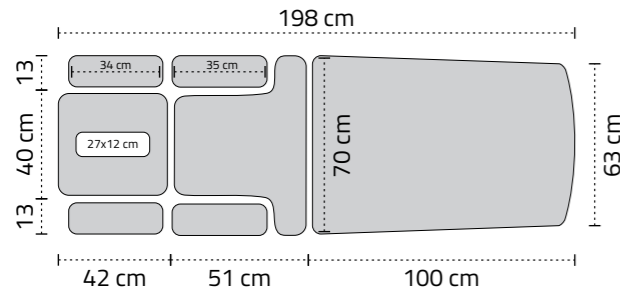
Evero X7 Integra is a multifunctional electric treatment table with the most advanced tabletop covered with the innovative Integra foam with increased resistance to damage, crushing or abrasions. Excellent for manual therapies in which a compromise between comfort of patient and the appropriate hardness of the tabletop is essential to achieve the appropriate physiotherapy effects.

The Integra System is an innovative technology that uses integral foam formed by a foamed core merging into a solid surface resembling natural leather. Tabletop made with the such foam is seamless, easy to disinfect, pleasant to touch, resistant to abrasion, UV radiation and water effects. Integra foam shows much greater strength and resistance to hygienic and disinfecting agents compared to artificial leather.

The integral foam production process is fully ecological.

Evero X7 INTEGRA table is distinguished by:

- Integra foam with increased resistance to damage.
- 3 stabilizers to stabilize the patient in the shoulder and perineum area.
- Multifunctional 7-segment table top.
- Headrest with a face hole and two adjustable armrests.
- Electric height adjustment with a walking-free foot control made of stainless steel.
- Tilting of the table top with side panel control.
- Chassis equipped with 4 swivel castors.
- Positioning of the headrest with a gas spring.
- Drop-down side shelves.
- Safety switch.
- Adjustable feet.
- 2 practical, universal 360 mm long under-table handles.
- Practical paper roll hanger.



Description:

Evero X7 Integra is the most advanced electric treatment table equipped with the integrated foot control frame and a driving system. It has a 7-segment table top, made with the use of innovative Integra foam. Dedicated to massages, physiotherapy, rehabilitation.

Evero X7 Integra is a multifunctional electric treatment table with the most advanced tabletop covered with the innovative Integra foam with increased resistance to damage, crushing or abrasions. Excellent for manual therapies in which a compromise between comfort of patient and the appropriate hardness of the tabletop is essential to achieve the appropriate physiotherapy effects.

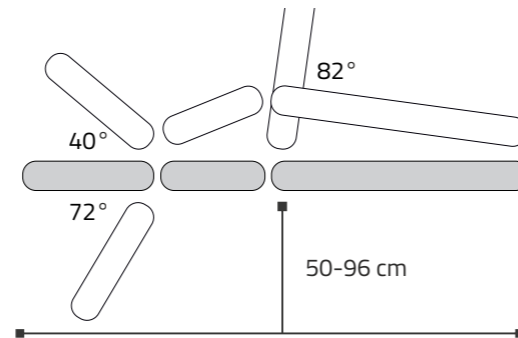
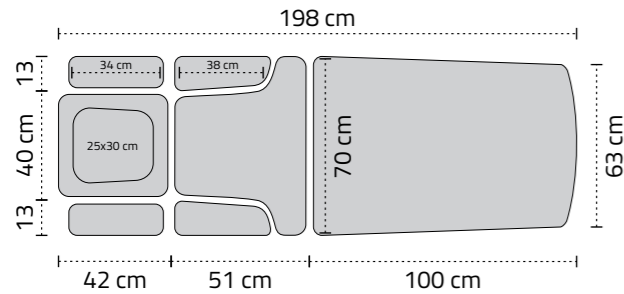
The Integra System is an innovative technology that uses integral foam formed by a foamed core merging into a solid surface resembling natural leather. Tabletop made with the such foam is seamless, easy to disinfect, pleasant to touch, resistant to abrasion, UV radiation and water effects. Integra foam shows much greater strength and resistance to hygienic and disinfecting agents compared to artificial leather.

The integral foam production process is fully ecological.

Evero X7 INTEGRA table is distinguished by:

- Integra foam with increased resistance to damage.
- Multifunctional 7-segment table top.
- Headrest with a face hole and two adjustable armrests.
- Electric height adjustment with a walking-free foot control made of stainless steel.
- Tilting of the table top with side panel control.
- Chassis equipped with 4 swivel castors.
- Positioning of the headrest with a gas spring.
- Drop-down side shelves.
- Safety switch.
- Adjustable feet.
- 2 practical, universal 360 mm long under-table handles.
- Practical paper roll hanger.

WATCH VIDEO ON



Description:

Evero X7 is a 7-segment electric treatment table equipped with a walking-free foot control, chassis and a headrest with ERGO cushion. Specially shaped cushion perfectly fits the face, providing maximum comfort for the patient.

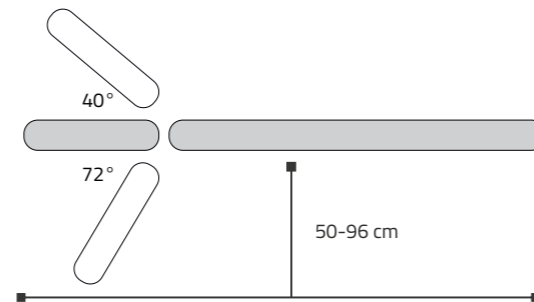
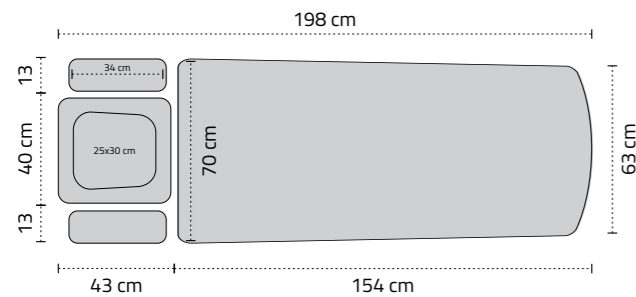
Recommended to perform massages, physiotherapy, rehabilitation. The table is characterized by: ergonomic design and high comfort of use. Imported product with Habys quality control and warranty.

Registered and CE certified according to the Medical Devices Regulation (MDR) 2017/745/EU.

Evero X7 ERGO table is distinguished by:

- Multifunctional 7-segment table top.
- Headrest with a face hole, Ergo cushion and two adjustable armrests.
- Plug for the face hole.
- Electric height adjustment with a walking-free foot control made of stainless steel.
- Tilting of the table top with side panel control.
- Chassis equipped with 4 swivel castors.
- Positioning of the headrest with a gas spring.
- Drop-down side shelves.
- Safety switch.
- Adjustable feet.
- 2 practical, universal 360 mm long under-table handles.
- Practical paper roll hanger.

WATCH VIDEO ON 



Description:

Evero V4 is a 4-segment electric treatment table equipped with a walking-free foot control and a headrest with ERGO cushion. Specially shaped cushion perfectly fits the face, providing maximum comfort for the patient.

Recommended to perform massages, physiotherapy, rehabilitation.

Registered and CE certified according to the Medical Devices Regulation (MDR) 2017/745/EU.

Evero V4 ERGO table is distinguished by:

- Headrest with a face hole, Ergo cushion and two adjustable armrests.
- Plug for the face hole.
- Electric height adjustment with a walking-free foot control made of stainless steel.
- Positioning of the headrest with a gas spring.
- Chassis equipped with 4 swivel castors.
- Safety switch.
- Adjustable feet.
- 2 practical, universal 360 mm long under-table handles.
- Practical paper roll hanger.

WATCH VIDEO ON 



Description:

Agila 4 is a 4-segment electric treatment table with a walking-free foot control and design for comfortable patient access while maintaining optimal stability.

Recommended for massage, physiotherapy and rehabilitation.

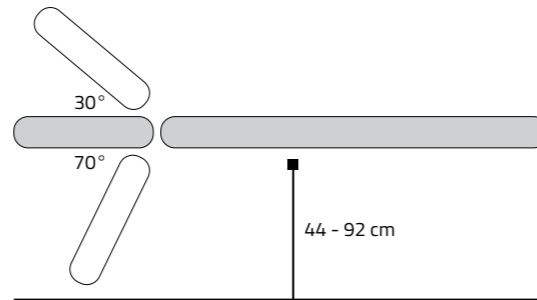
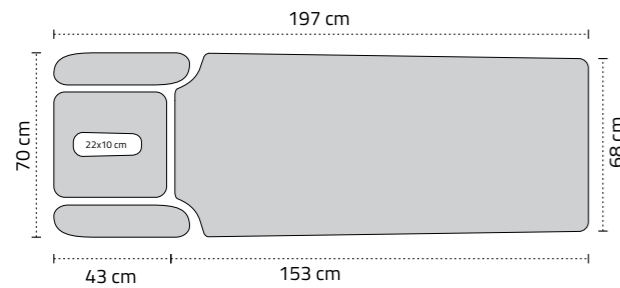
Registered and CE certified according to the Medical Devices Regulation (MDR) 2017/745/EU.

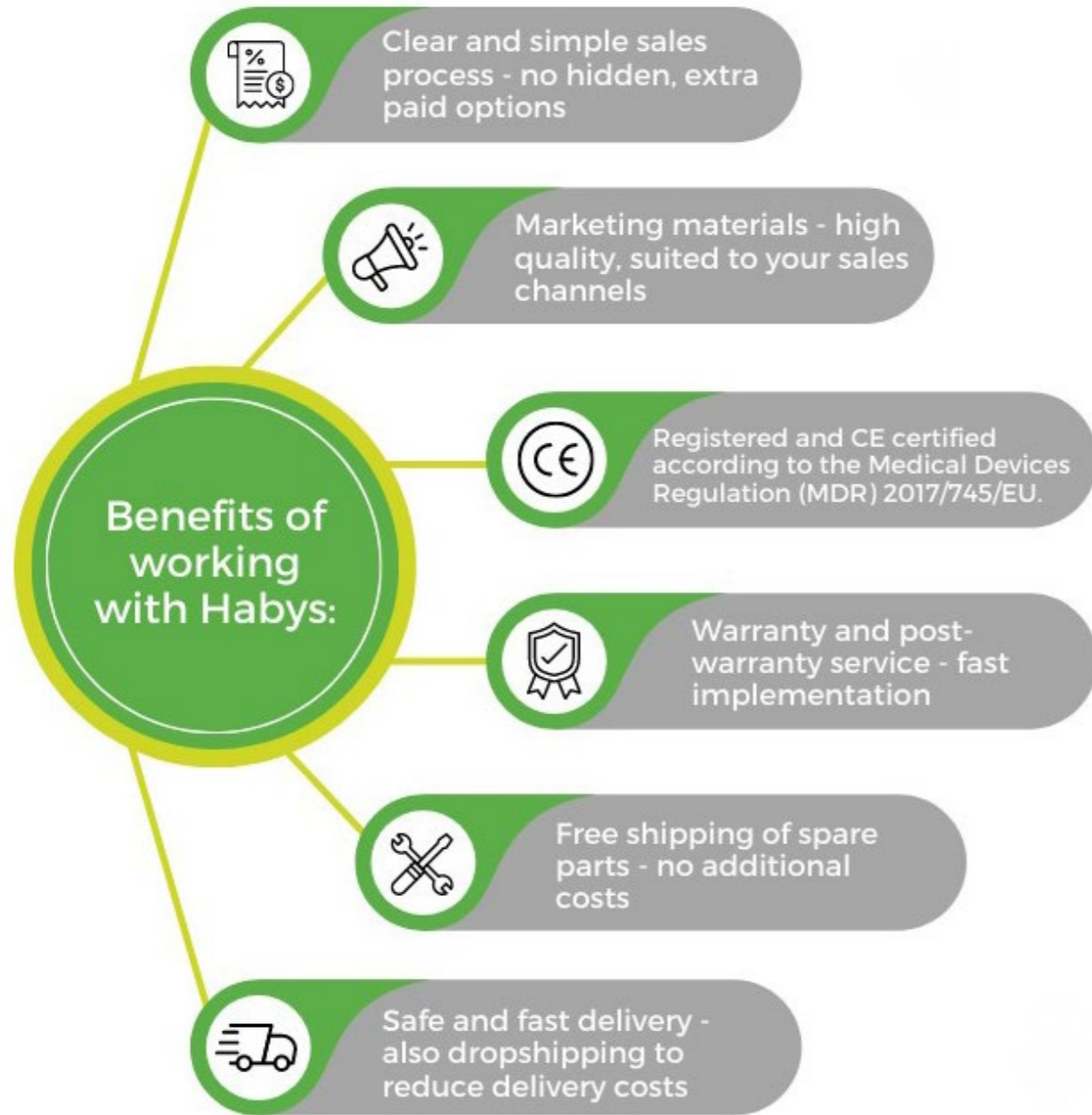
Agila 4 table is distinguished by:

- Ergonomic shape.
- Positioning of the headrest with a gas spring.
- Armrests with innovative and smooth adjustment.
- Electric height adjustment with a walking-free foot control made of stainless steel.
- Durable rubber wheels to move the table around.
- Practical paper roll holder.

WATCH VIDEO ON 

Other table from Agila collection:





Follow us on socials:

